

# CONTRACOR®

Portable moisture separator

# CK-50

USER MANUAL

**Version 1.0**

**Mobiler**

**Kondensatabscheider**

BEDIENUNG

SANLEITUNG

**Version 1.0**

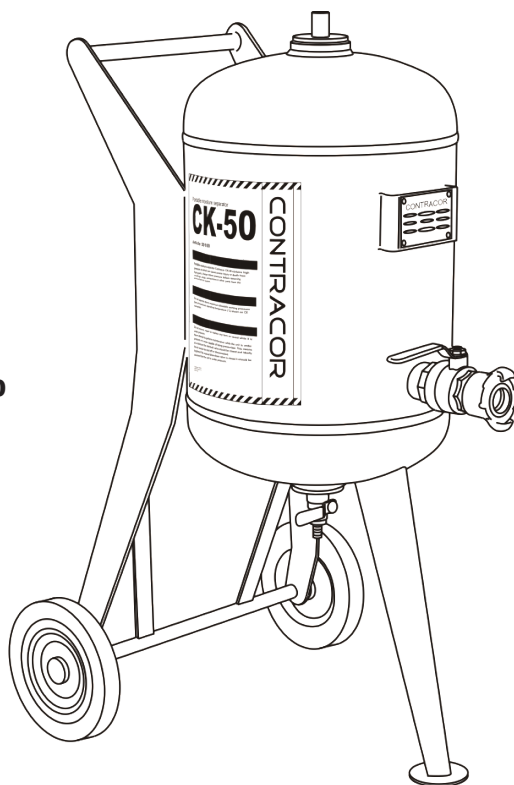
**Мобильный сепаратор**

**конденсата**

РУКОВОДСТВО

ПОЛЬЗОВАТЕЛЯ

**Версия 1.0**



ENGLISH

DEUTSCH

РУССКИЙ

# Contents

|  |    |
|--|----|
| 1. Safety  | 3  |
| 2. Package and specification                       | 4  |
| 3. Introduction. Setup. Air Requirements. Cleaning | 6  |
| 4. Warranty and warranty service regulations       | 10 |



## ATTENTION!

**READ AND FULLY UNDERSTAND THIS MANUAL BEFORE STARTING WORK.  
THE FOLLOWING INFORMATION IS IMPORTANT FOR SAFETY AND HEALTH  
OF OPERATOR AND PERSONNEL IN VICINITY.**



## ATTENTION!

**BUYING THE MACHINE, PLEASE, REQUEST TO FILL IN THE GUARANTEE  
CARD CORRECTLY!  
FAILURE TO PRODUCE A FILLED-IN FORM WILL MAKE YOUR GUARANTEE  
INVALID.**

## 1. Safety



### ATTENTION!

#### SAFETY MEASURES FOR ABRASIVE BLASTING.

1. You must wear protective equipment: a helmet with positive air feed, breathing air filter, protection suit, leather gloves, and special footwear.
2. Do not use worn or damaged equipment during operation.
3. Point the nozzle only at the area to be cleaned.
4. Use only dry well-sieved abrasive materials, appropriate for abrasive blasting operations.
5. All personnel without protection equipment should be outside the zone of blasting operations.
6. Before starting abrasive blasting operations you must:
  - Ensure that hoses and fittings are not worn;
  - Fix bayonet joints with wire;
  - Ensure that air is fed to the helmet;
  - Ensure that pressurizing valve is in correct position;
  - Ensure that the machine is in steady state position

## 1.1 Important Safety Instructions

1.1.1 Do not remove, repair or replace any item on vessel while it is under pressure.

1.1.1 Do not operate if there is a leak in the vessel. Immediately take vessel out of service and call your certifying authority.

1.1.3 Do not operate above maximum allowable working pressure (bar) at maximum operating temperature (°C) shown on CE nameplate.

1.1.4 Do not weld, grind or sand vessel. It will not be safe to operate.

1.1.5 Do not operate if the vessel has been damaged by fire. Take out of service immediately and notify your certifying authority.

1.1.6 Any damage to vessel can make it unsafe. Inspect outside and inside of vessel regularly for corrosion or damage (i.e. dents, gouges or bulges). If damaged, take out of service immediately and notify your certifying authority.

## 1.2 Recommended Safe Procedures

1.2.1 Never attempt to perform maintenance while the unit is under pressure or is even capable of being pressurized. This means at a minimum the inlet ball valve should be closed and ideally the air source be shut off or disconnected. Anytime if the manual blow-down valve is closed it should be assumed that the unit is under pressure.

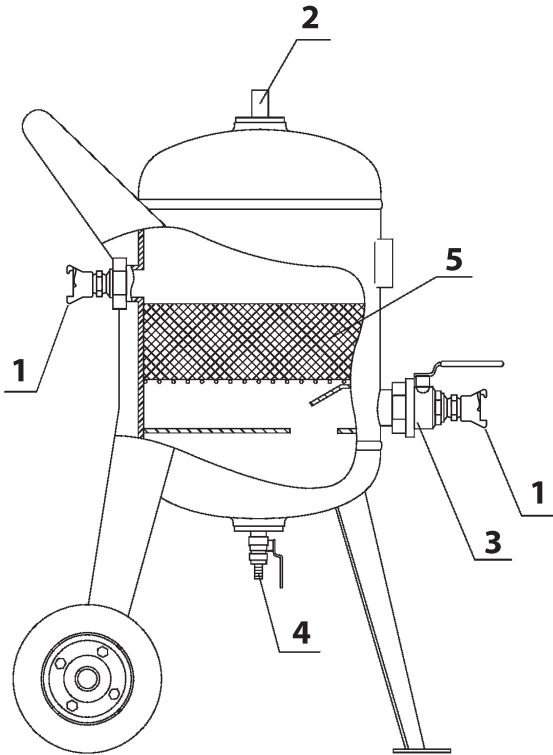
1.2.2 This machine contains high pressure air which can cause severe injury or death from flying parts. Always relieve pressure before removing couplings, plugs, connections or other parts from the pressurized air system.

1.2.3 Periodically check all hoses to see that they are in good condition. Repair any couplings or hoses that show any signs of wear or leakage.

1.2.4 All air hose couplings are provided with holes which must be safety pinned or wired to prevent accidental disconnections.

1.2.5 The interior condition of the vessel should be inspected regularly for corrosion.

## 2. Package and specification



### 2.1. Package.

| Pos. # | Order code | Model | Description  |
|--------|------------|-------|--|
|        | 50100      | CK-50 | Portable coalescing moisture separator, 50 liter pressure vessel, stainless steel coalescing element, 1.1/2" air hose connection nipple, 1.1/2" ball valve, 1/2" relief valve. |
| 1      | 10901      | CFT-2 | Hose coupling 1.1/2"   |
| 2      | 50101      |       | Relief valve 1/2", set pressure 10,5 bar   |
| 3      | 50102      |       | Ball valve 1.1/2"  |
| 4      | 50103      |       | Drain valve 1/2"   |
| 5      | 50104      |       | Stainless steel coalescing element   |

## 2.2. Specification.

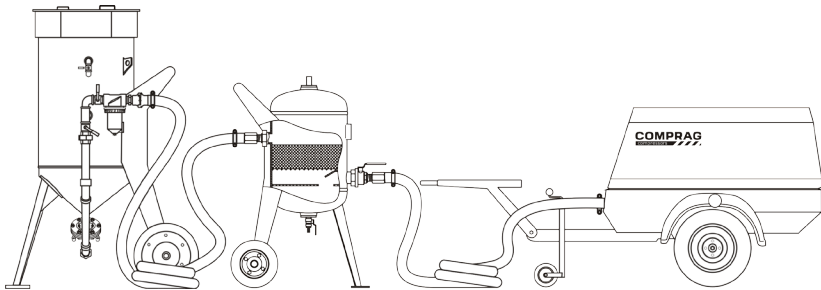
| Parameter     | Value                            |
|---------------|----------------------------------|
| Air flow, min | 5 m <sup>3</sup> /min by 4 bar   |
| Air flow, max | 22 m <sup>3</sup> /min by 10 bar |
| Relief valve  | Max. 10.5 bar                    |
| Width         | 565 mm                           |
| Height        | 960 mm                           |
| Weight        | 40 kg                            |

## 3. Introduction. Setup. Air Requirements. Cleaning

### 3.1. Introduction.

CONTRACOR CK-50 Portable Moisture Separators are designed for removing water, oil and dirt particles from compressed air supply. It is specially designed to work with portable air compressors in the outdoor field for blast cleaning applications.

### 3.2. Setup.



Connect the CK-50 Portable Moisture Separator to the air supply between the compressor and the CAF-3 air filter installed on the blast machine inlet.

For connection use Contracor air hose ID= 38 mm and appropriate hose couplings with two part hose clamps.

The farther the CK-50 Portable Moisture Separator is from the compressor, the more moisture will condense in the line, making it more likely to be removed.

The water and oil that collect at the bottom of the CK-50 Portable Moisture Separator must be periodically be drained using the manual drain cock.

### **3.3. Air Requirements.**

The CK-50 Portable Moisture Separators requires min. 5 m<sup>3</sup>/min by 4 bar and max. 22 m<sup>3</sup>/min by 10 bar for the efficient operation.

At lower/higher volume and pressure CK-50 Portable Moisture Separator does not remove as much moisture and oil.

### **3.4. Cleaning.**

Once a day completely open the drain ball valve (7) to blow out any debris that may have accumulated.

If the stainless-steel mesh becomes caked with oil and dirt, disconnect the CK-50 Portable Moisture Separator from the air line and clean it with warm water.

## **4. Warranty and warranty service regulations**

Please, ensure that this warranty card is filled in clearly, correctly with completely by the seller organization, that sells you our product.

1. CONTRACOR warrants production (hereinafter referred to as "equipment") manufactured by CONTRACOR to be free from defects in workmanship preventing normal

equipment operation during twelve months. This period of time is calculated from the date of purchase filled in by the Seller organization (hereinafter referred to as "Seller") in this warranty policy.

2. Obligations arising from this warranty are fulfilled by the Seller or authorized organizations. Please contact the Seller to obtain the list of authorized organizations.

3. This warranty is limited to the repair or replacement of the defective part only, the defect of the part appeared during the period of warranty, without any payments by the purchaser if conditions of the warranty are observed. Repair or replacement of defect parts will not extend the warranty coverage on the equipment beyond the original expiration date.

4. Above-mentioned warranty term does not apply to assemblies and parts if in the user's guide supplied with the equipment a special warranty term is specified for these assemblies and details.

5. This warranty is not applied to the defects, caused by improper use or use with violation of intended use, wrong storage, drops or impacts, incorrect maintenance, damage caused by freezing or use with violation of user's manual requirements.

6. The warranty does not cover electric motor damage caused by one phase failure.

7. The warranty does not apply to the equipment with external mechanical defects.
8. This warranty does not cover consumable materials and the parts, which service life depends on operation conditions: filters, high pressure and rubber hoses, nozzles, spray-guns, seals, quick-release couplings, tip holders etc.
9. Natural wear and tear of equipment, caused by its operation with intensity inconsistent with that specified in user's manual and equipment function, is not covered by this warranty.
10. Defects resulted from usage of the devices, accessories or consumable materials other than offered by the equipment supplier, and in case of equipment modification not approved by the manufacturer or unauthorized repair of the equipment are not covered by this warranty.
11. Equipment shipment for warranty repair and a technician trip to the site of the repair are produced at the buyer's expense.
12. This warranty is given to the representative of the organization that purchased the equipment and can not be transferred to another individual or organization.
13. The Seller disclaims liability for potential harm, directly or indirectly caused to people or property in case this resulted from violation of the operation procedures, whether intended or negligent by the purchaser or third parties.
14. Liability for any special, consequential or incidental damages (including but not limited to loss of revenue or profit, downtime costs, loss of the use of the equipment, regardless of cause or for breach of any written or implied warranty is expressly disclaimed.



# Contents

|  |   |
|--|---|
| 1. Safety  | 3 |
| 2. Package and specification 4                       | 5 |
| 3. Introduction. Setup. Air Requirements. Cleaning 6 | 6 |
| 4. Warranty and warranty service regulations 10      | 7 |



## **ATTENTION!**

**READ AND FULLY UNDERSTAND THIS MANUAL BEFORE STARTING WORK.  
THE FOLLOWING INFORMATION IS IMPORTANT FOR SAFETY AND HEALTH  
OF OPERATOR AND PERSONNEL IN VICINITY.**



## **ATTENTION!**

**BUYING THE MACHINE, PLEASE, REQUEST TO FILL IN THE GUARANTEE  
CARD CORRECTLY!  
FAILURE TO PRODUCE A FILLED-IN FORM WILL MAKE YOUR GUARANTEE  
INVALID.**

## 1. Safety



### ATTENTION!

#### SAFETY MEASURES FOR ABRASIVE BLASTING.

1. You must wear protective equipment: a helmet with positive air feed, breathing air filter, protection suit, leather gloves, and special footwear.
2. Do not use worn or damaged equipment during operation.
3. Point the nozzle only at the area to be cleaned.
4. Use only dry well-sieved abrasive materials, appropriate for abrasive blasting operations.
5. All personnel without protection equipment should be outside the zone of blasting operations.
6. Before starting abrasive blasting operations you must:
  - Ensure that hoses and fittings are not worn;
  - Fix bayonet joints with wire;
  - Ensure that air is fed to the helmet;
  - Ensure that pressurizing valve is in correct position;
  - Ensure that the machine is in steady state position

## 1.1 Important Safety Instructions

1.1.1 Do not remove, repair or replace any item on vessel while it is under pressure.

1.1.1 Do not operate if there is a leak in the vessel. Immediately take vessel out of service and call your certifying authority.

1.1.3 Do not operate above maximum allowable working pressure (bar) at maximum operating temperature (°C) shown on CE nameplate.

1.1.4 Do not weld, grind or sand vessel. It will not be safe to operate.

1.1.5 Do not operate if the vessel has been damaged by fire. Take out of service immediately and notify your certifying authority.

1.1.6 Any damage to vessel can make it unsafe. Inspect outside and inside of vessel regularly for corrosion or damage (i.e. dents, gouges or bulges). If damaged, take out of service immediately and notify your certifying authority.

## 1.2 Recommended Safe Procedures

1.2.1 Never attempt to perform maintenance while the unit is under pressure or is even capable of being pressurized. This means at a minimum the inlet ball valve should be closed and ideally the air source be shut off or disconnected. Anytime if the manual blow-down valve is closed it should be assumed that the unit is under pressure.

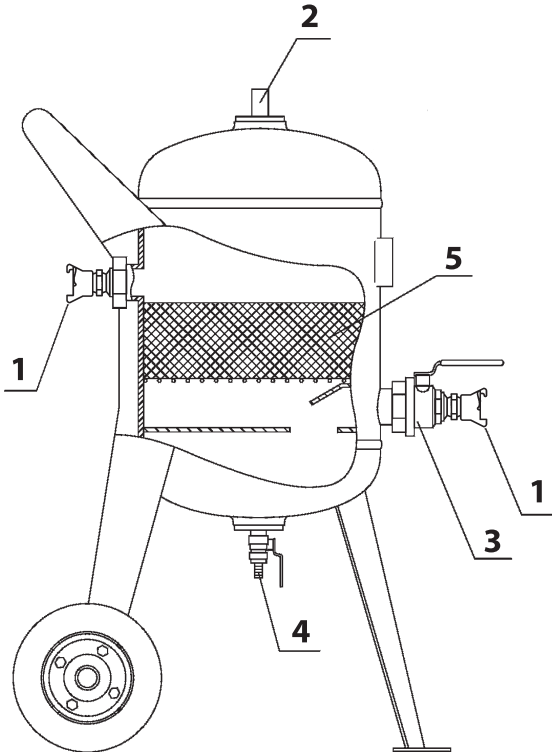
1.2.2 This machine contains high pressure air which can cause severe injury or death from flying parts. Always relieve pressure before removing couplings, plugs, connections or other parts from the pressurized air system.

1.2.3 Periodically check all hoses to see that they are in good condition. Repair any couplings or hoses that show any signs of wear or leakage.

1.2.4 All air hose couplings are provided with holes which must be safety pinned or wired to prevent accidental disconnections.

1.2.5 The interior condition of the vessel should be inspected regularly for corrosion.

## 2. Package and specification



### 2.1. Package.

| Pos. # | Order code | Model | Description  |
|--------|------------|-------|--|
|        | 50100      | CK-50 | Portable coalescing moisture separator, 50 liter pressure vessel, stainless steel coalescing element, 1.1/2" air hose connection nipple, 1.1/2" ball valve, 1/2" relief valve. |
| 1      | 10901      | CFT-2 | Sandstrahlkupplung 1.1/2"  |
| 2      | 50101      |       | Relief valve 1/2", set pressure 10,5 bar   |
| 3      | 50102      |       | Ball valve 1.1/2"  |
| 4      | 50103      |       | Drain valve 1/2"   |
| 5      | 50104      |       | Stainless steel coalescing element   |

## 2.2. Specification.

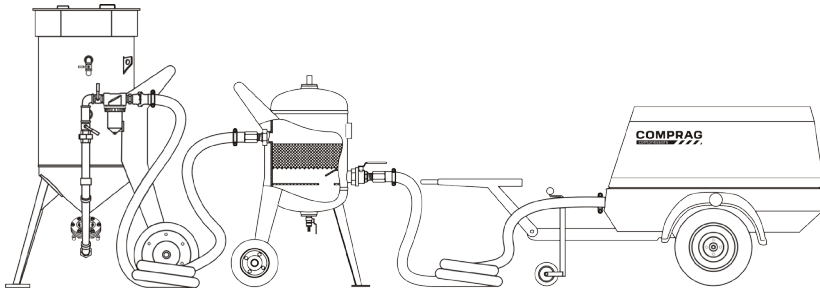
| Parameter     | Value                            |
|---------------|----------------------------------|
| Air flow, min | 5 m <sup>3</sup> /min by 4 bar   |
| Air flow, max | 22 m <sup>3</sup> /min by 10 bar |
| Relief valve  | Max. 10.5 bar                    |
| Width         | 565 mm                           |
| Height        | 960 mm                           |
| Weight        | 40 kg                            |

## 3. Introduction. Setup. Air Requirements. Cleaning

### 3.1. Introduction.

CONTRACOR CK-50 Portable Moisture Separators are designed for removing water, oil and dirt particles from compressed air supply. It is specially designed to work with portable air compressors in the outdoor field for blast cleaning applications.

### 3.2. Setup.



Connect the CK-50 Portable Moisture Separator to the air supply between the compressor and the CAF-3 air filter installed on the blast machine inlet.

For connection use Contracor air hose ID= 38 mm and appropriate hose couplings with two part hose clamps.

The farther the CK-50 Portable Moisture Separator is from the compressor, the more moisture will condense in the line, making it more likely to be removed.

The water and oil that collect at the bottom of the CK-50 Portable Moisture Separator must be periodically be drained using the manual drain cock.

### 3.3. Air Requirements.

The CK-50 Portable Moisture Separator requires min. 5 m<sup>3</sup>/min by 4 bar and max. 22 m<sup>3</sup>/min by 10 bar for the efficient operation.

At lower/higher volume and pressure CK-50 Portable Moisture Separator does not remove as much moisture and oil.

### 3.4. Cleaning.

Once a day completely open the drain ball valve (7) to blow out any debris that may have accumulated.

If the stainless-steel mesh becomes caked with oil and dirt, disconnect the CK-50 Portable Moisture Separator from the air line and clean it with warm water.

## 4. Garantie und Garantiebedingungen.

Bitte achten Sie darauf, dass die Garantiekarte vom Verkäufer deutlich, richtig und vollständig ausgefüllt wird.

1. Die Firma CONTRACOR gewährleistet, dass die von ihr hergestellten Produkte (im Folgenden Equipment genannt) frei von Herstellungsfehlern sind und gewährt eine Garantie von 12 Monaten. Dieser Zeitraum beginnt mit dem vom Händler in der Garantiekarte eingetragenen Kaufdatum.
2. Aus dieser Garantie entstehende Verpflichtungen werden vom Händler oder autorisierten Organisationen/Werkstätten wahrgenommen. Bitte fragen Sie Ihren Händler nach einer Liste der autorisierten Organisationen.
3. Die Garantie erstreckt sich nur auf die kostenlose Reparatur oder den Ersatz eines defekten Teils, wenn der Defekt innerhalb der Garantiezeit auftritt und die Garantiebedingungen eingehalten wurden. Der Ersatz oder die Reparatur eines Teils verlängern den ursprünglichen Garantiezeitraum nicht.
4. Die oben angeführten Garantiebedingungen gelten nicht für die Teile des Equipments, für die eigene, spezielle Garantiebedingungen in der mitgelieferten Bedienungsanleitung angegeben werden.
5. Diese Garantie gilt nicht für Schäden hervorgerufen durch unsachgemäßen Gebrauch oder Gebrauch für einen anderen als den vorgesehenen Zweck, falsche Lagerung, Stürze oder Stöße, falsche Wartung, Beschädigung durch Frost oder Gebrauch, der nicht mit den in der Bedienungsanleitung aufgeführten Nutzungsregeln übereinstimmt.

6. Diese Garantie deckt keine Elektromotorschäden ab, die durch Fehler in der Stromversorgung hervorgerufen werden.
7. Diese Garantie gilt nicht für Schäden, die durch äußere, mechanische Einflüsse verursacht wurden.
8. Diese Garantie erstreckt sich nicht auf Verbrauchsmaterial und Verschleissteile wie Filter, Hochdruck- oder Gummischläuche, Düsen, Dichtungen, Schlauchkupplungen, Düsenhalter etc.
9. Abnutzung des Equipments durch Überbeanspruchung, d.h. über das in der Anleitung vorgesehene und angegebene Maß hinaus, ist von der Garantie ausgeschlossen
10. Schäden, die durch die Verwendung von Geräten, Zubehör oder Verbrauchsmitteln entstanden sind, die nicht vom Hersteller dafür vorgesehen/ zugelassen sind, sind von der Garantie ausgeschlossen. Ebenso ausgeschlossen sind Schäden, die durch Veränderungen am Equipment oder Reparaturen durch nicht autorisierte Personen entstanden sind..
11. Die Kosten für den Transport des Equipments im Garantiefall oder die Fahrt eines Technikers zum Einsatzort trägt der Kunde
12. Die Garantie wird ausschließlich dem eingetragenen Käufer geleistet und ist nicht übertragbar.
13. Von der Garantie ausgenommen sind Schäden, die durch Missbrauch oder Fehlgebrauch des Equipments, für einen anderen als den vorgesehenen Zweck und/oder unter Missachtung der Bedienungs- und Wartungsanleitung verursacht worden sind.
14. Weitergehende Ansprüche, wie z.B. Schadensersatz wegen Einnahme- oder Gewinnausfall, Arbeitsunterbrechungen oder Nutzungsausfall des Equipments, sind ausgeschlossen. Die Garantie beschränkt sich nur auf das Equipment, dem Käufer stehen keine weiteren Schadensersatzansprüche, insbesondere auch nicht für Folgeschäden, zu.

## Содержание

|  |   |
|--|---|
| 1. Безопасность  | 3 |
| 2. Упаковка и характеристики                             | 5 |
| 3. Внедрение. Наладка. Требуемый расход воздуха. Очистка | 6 |
| 4. Гарантия и правила гарантийного обслуживания          | 7 |



### **ATTENTION!**

**READ AND FULLY UNDERSTAND THIS MANUAL BEFORE STARTING WORK.  
THE FOLLOWING INFORMATION IS IMPORTANT FOR SAFETY AND HEALTH  
OF OPERATOR AND PERSONNEL IN VICINITY.**



### **ATTENTION!**

**BUYING THE MACHINE, PLEASE, REQUEST TO FILL IN THE GUARANTEE  
CARD CORRECTLY!  
FAILURE TO PRODUCE A FILLED-IN FORM WILL MAKE YOUR GUARANTEE  
INVALID.**





### **ATTENTION!**

#### **SAFETY MEASURES FOR ABRASIVE BLASTING.**

1. You must wear protective equipment: a helmet with positive air feed, breathing air filter, protection suit, leather gloves, and special footwear.
2. Do not use worn or damaged equipment during operation.
3. Point the nozzle only at the area to be cleaned.
4. Use only dry well-sieved abrasive materials, appropriate for abrasive blasting operations.
5. All personnel without protection equipment should be outside the zone of blasting operations.
6. Before starting abrasive blasting operations you must:
  - Ensure that hoses and fittings are not worn;
  - Fix bayonet joints with wire;
  - Ensure that air is fed to the helmet;
  - Ensure that pressurizing valve is in correct position;
  - Ensure that the machine is in steady state position

## **1.1 Важные указания по безопасности**

1.1.1 Запрещается удалять, ремонтировать или заменять любые детали на резервуаре, когда он находится под давлением.

1.1.1 Эксплуатация при наличии течи резервуара запрещается. Следует немедленно отключить резервуар и связаться с сертифицирующим органом.

1.1.3 Запрещается работать при давлении, превышающем максимальное допустимое рабочее давление (бар), при максимальной рабочей температуре (°C), которые указаны на заводской табличке CE.

1.1.4 Резервуар запрещается варить, шлифовать или подвергать пескоструйной обработке. В противном случае эксплуатировать резервуар будет опасно.

1.1.5 Эксплуатация запрещается, если резервуар поврежден пожаром. В этом случае необходимо немедленно отключить резервуар и уведомить сертифицирующий орган.

1.1.6 Любое повреждение резервуара делает работу с ним опасной. Необходимо регулярно проверять резервуар снаружи и внутри на отсутствие следов коррозии или повреждений (вмятин, углублений или вздутий). В случае повреждения необходимо немедленно отключить резервуар и уведомить сертифицирующий орган.

## **1.2 Рекомендуемые безопасные процедуры**

1.2.1 Категорически запрещается выполнять техническое обслуживание, если аппарат находится под давлением или существует возможность создания в нем давления. Это означает, что, по крайней мере, впускной шаровой кран должен быть закрыт. Желательно перекрыть или отсоединить источник воздуха. Всегда, если ручной продувочный клапан закрыт, следует полагать, что аппарат находится под давлением.

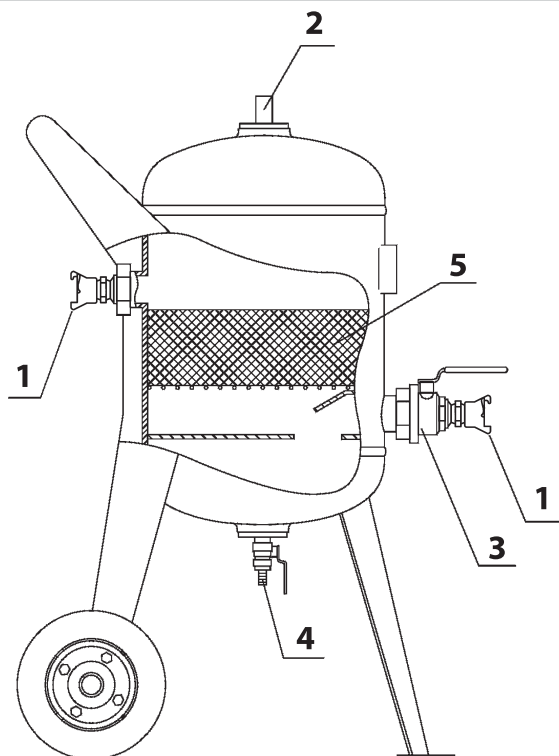
1.2.2 Настоящий аппарат содержит воздух высокого давления, который может вызвать разбрасывание частей аппарата и, как следствие, серьезные травмы или смертельный исход. Необходимо всегда снимать давление перед демонтажем муфт, пробок, соединителей и других деталей системы, содержащей воздух, находящийся под давлением.

1.2.3 Периодически следует проверять все шланги, чтобы убедиться в их исправности. При наличии любых признаков износа или утечки муфт или шлангов их следует заменить.

1.2.4 Все муфты воздушных шлангов снабжены отверстиями, которые должны быть безопасно зашплинтованы или закреплены проволокой для предотвращения случайных рассоединений.

1.2.5 Необходимо регулярно проверять резервуар внутри на отсутствие коррозии.

## 2. Упаковка и характеристики



### 2.1. Package.

| Поз. № | Код заказа | Модель | Описание  |
|--------|------------|--------|---|
|        | 50100      | СК-50  | Сепаратор мобильный конденсата СК-50                                      |
| 1      | 10901      | CFT-2  | Сцепление байонетное 1 1/2"   |
| 2      | 50101      |        | Клапан предохранительный 1/2", установленное избыточное давление 10,5 бар |
| 3      | 50102      |        | Кран шаровой 1 1/2"   |
| 4      | 50103      |        | Клапан сливной 1/2"   |
| 5      | 50104      |        | Коалесцирующий элемент из нержавеющей стали                               |

## 2.2. Характеристики.

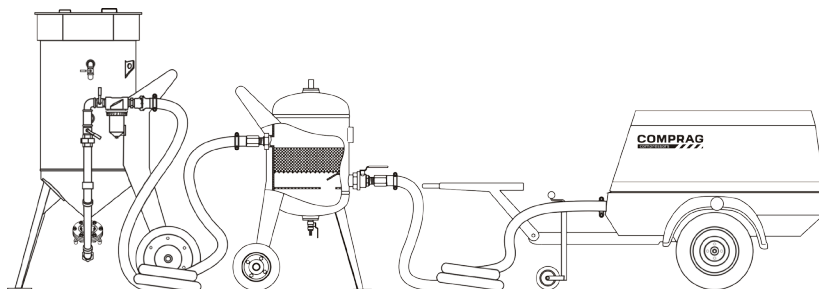
| Параметр              | Значение              |
|-----------------------|-----------------------|
| Расход воздуха, мин.  | 5 м3/мин при 4 бар    |
| Расход воздуха, макс. | 22 м3/мин. при 10 бар |
| Перепускной клапан    | Макс. 10,5 бар        |
| Ширина                | 565 мм                |
| Высота                | 960 мм                |
| Масса                 | 40 кг                 |

## 3. Внедрение. Наладка. Требуемый расход воздуха. Очистка

### 3.1. Внедрение.

Мобильный сепаратор конденсата CONTRACOR СК-50 предназначен для удаления воды, масла и частиц грязи из сжатого воздуха. Сепаратор специально предназначен для работы с переносными компрессорами, используемыми для струйной очистки вне помещений.

### 3.2. Наладка.



Подключить мобильный сепаратор конденсата СК-50 к источнику воздуха между компрессором и воздушным фильтром САФ-3, установленным на входе аппарата для струйной обработки.

Для подключения следует использовать воздушный шланг компании Contracor с внутренним диаметром ID= 38 мм и соответствующими соединительными шланговыми муфтами с хомутами для шланга, состоящими из двух частей.

Чем дальше мобильный сепаратор конденсата СК-50 от компрессора, тем больше влаги конденсируется в линии, и возрастает вероятность ее удаления.

Вода и масло, собирающиеся на дне мобильного сепаратора конденсата СК-50, должны периодически сливаться вручную.

### **3.3. Требуемый расход воздуха.**

Мобильный сепаратор конденсата СК-50 требует минимального расхода воздуха 5 м<sup>3</sup>/мин при 4 бар и макс. 22 м<sup>3</sup>/мин. при 10 бар для эффективной работы.

При более низких/высоких значениях расхода и давления мобильный сепаратор конденсата СК-50 удаляет воду и масло в меньшей степени.

### **3.4. Очистка.**

Один раз в день следует полностью открывать сливной шаровой кран (7), чтобы выполнить продувку для удаления любых инородных материалов, которые могли накапливаться.

Если сетка из нержавеющей стали покрывается маслом и грязью, следует отсоединить мобильный сепаратор конденсата СК-50 от воздушной линии и промыть его теплой водой.

## **4. Гарантийные обязательства и правила гарантийного обслуживания.**

Пожалуйста, убедитесь в том, что настоящее гарантийное обязательство заполнено четко, правильно и полностью организацией, продающей Вам нашу продукцию.

1. Продукция CONTRACOR, именуемая далее «оборудование», имеет гарантию на отсутствие дефектов производства, препятствующих нормальной работе оборудования, в течение 12 месяцев. Гарантийный срок отсчитывается от даты приобретения оборудования, проставленной продающей организацией, именуемой далее «продавец», в данном гарантийном обязательстве.
2. Обязанности по настоящей гарантии исполняются продавцом или уполномоченными организациями, список которых можно получить у продавца.
3. Обязанности по выполнению настоящей гарантии ограничиваются ремонтом или заменой детали или части, дефект которой проявился в течение гарантийного периода, без оплаты со стороны покупателя, при соблюдении им правил гарантийного обслуживания. Такой ремонт или замена не служат основанием для продления гарантийного срока на оборудование.
4. Указанный выше гарантийный срок не распространяется на отдельные части или детали в случае, если в руководстве по эксплуатации, прилагаемом к оборудованию отмечено, что на данные детали или части действует особый гарантийный срок.

5. Настоящая гарантия не может быть применена к дефектам, вызванным неправильным использованием или применением не по назначению, ненадлежащим содержанием, падением или ударом, неправильным обслуживанием, повреждением от замерзания или использованием с нарушениями требований инструкции по эксплуатации.
  6. Гарантия не распространяется на повреждения электродвигателя, вызванные пропаданием одной из фаз трехфазной сети.
  7. В гарантийный ремонт не принимается оборудование, имеющее внешние механические повреждения.
  8. Настоящая гарантия не распространяется на расходные материалы и части, срок службы которых зависит от условий эксплуатации: фильтры, рукава резиновые и высокого давления, сопла, пистолеты-распылители, уплотнения, байонетные сцепления, соплодержатели и т.п.
  9. Нормальный износ оборудования, вызванный его эксплуатацией с интенсивностью, не соответствующей указанному в инструкции по эксплуатации назначению оборудования, не является гарантийным случаем.
- РУССКИЙ  
CONTRACOR® BAF-1 Art. 30400 31
10. Повреждения, возникшие в результате применения приспособлений, принадлежностей или расходных материалов иных, чем предлагаются поставщиком, а также в случае внесения самовольных изменений в конструкцию оборудования или производства самостоятельного ремонта, не могут рассматриваться как гарантийный случай.
  11. Доставка оборудования для проведения гарантийного ремонта, а также выезд специалиста к месту ремонта — за счет покупателя.
  12. Настоящая гарантия выдается представителю организации, которая приобрела оборудование, и не может быть передана другому лицу или организации.
  13. Продавец снимает с себя ответственность за возможный вред, прямо или косвенно нанесенный оборудованием людям или имуществу, в случае если это произошло в результате несоблюдения правил эксплуатации, умышленных или неосторожных действий покупателя или третьих лиц.
  14. Продавец ни при каких обстоятельствах не несет ответственности за любые побочные, косвенные, особые, непрямые, штрафные или дисциплинарные виды ущерба или за потерю прибыли вследствие нарушения условий настоящей гарантии или иных обстоятельств.