

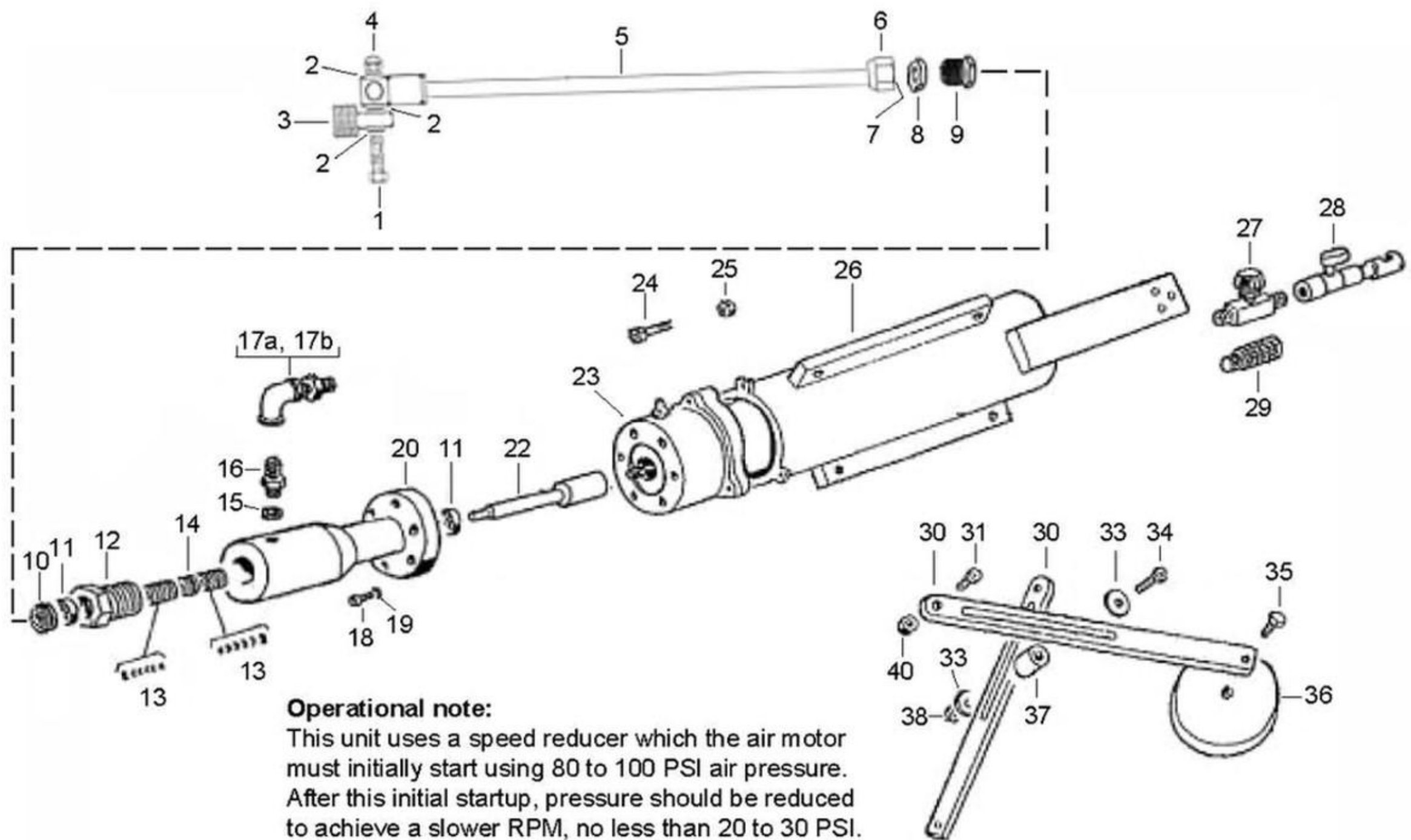
**Pipe Coater (auto rotating for internal 10" to 27" pipe)  
(for larger pipes up to 48" order the long arm kit )**

**The Professional Inside Pipe Coater**

is perfect for 10" to 27" pipes not accessible for manual spraying. Just attach a spray tip of your choice and the air powered rotary motor will turn the spray head 360° at a variable rotational speed between 10 and 100 RPM for a smooth and even coat. Use your airless hose with a shut off valve or gun to control the flow. The unit is pulled through the pipe manually.

**Specifications**

Max. fluid pressure .....	3600 psi
Air pressure range .....	30 - 100 psi
Air CFM req'd .....	2 - 6 CFM
For pipe sizes .....	10" to 27"
Fluid inlet thread .....	1/4" npt
Tip attachment thread .....	11/16"-16
Air inlet .....	1/4" NPT-F



**Operational note:**

This unit uses a speed reducer which the air motor must initially start using 80 to 100 PSI air pressure. After this initial startup, pressure should be reduced to achieve a slower RPM, no less than 20 to 30 PSI.

Pos.	Description	Qty.	Pos.	Description	Qty.
	<b>Pipe Rotary Spray Block (10" - 27")</b>		18	Bolt, socket head	6
1	Hollow bolt	1	19	Lockwasher	6
2	Nylon seal	3	20	Main housing	1
3	Swivel fitting, L-thread	1	22	Output shaft	1
	Swivel fitting, G-thread	1	23	Air motor w/speed reducer	1
4	Cap nut	1	24	Bolt	3
5	0.2M extension assembly	1	25	Nut, self locking	3
6	Tip nut, L-thread	1	26	Gun frame	1
7	Tube nipple (not shown)	1	27	Needle valve, 1/4"	1
8	Nylon gasket	1	28	Ball valve, 1/4 MF	1
9	Connector fitting, L thread	1	29	Air muffler	1
10	Retaining nut, bearing	1	30	Support arm	6
11	Bearing	2	31	Bolt	6
12	Nut, packing	1	33	Flat washer	6
13	Packing sets, front & back	1	34	Bolt, soc (M8 x 35)	3
14	Spacer, packing	1	35	Bolt	6
15	Seal, copper	1	36	Wheel, nylon 80mm dia.	6
16	Fitting, 1/4 NPS	1	37	Spacer	3
17a	Swivel, 1/4MF (use with 17b)	1	38	Nut, self locking, M8	3
17b	Swivel elbow, 1/4 MF (use with 17a)	1	40	Nut	6

**Accessories:**

30 48" arm kit for pipe 27"-48" opt