

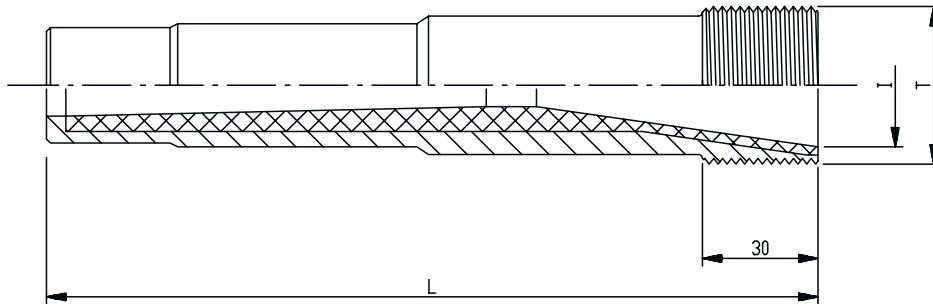


TUNGSTEN CARBIDE LONG VENTURI NOZZLES WITH ALUMINIUM JACKET

ART.NR.	MODEL	DESCRIPTION
---------	-------	-------------

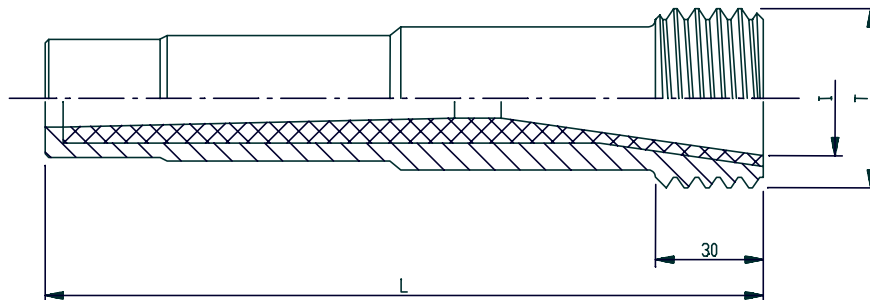
WITH FINE THREAD T = 41 mm [1¼" 11½ TPI NPSM]

		ORIFICE [mm]	LENGTH [mm]	
20010	ATSD - 3	4,8	135	1" INLET I = 25 mm
20020	ATSD - 4	6,5	135	
20030	ATSD - 5	8,0	145	
20040	ATSD - 6	9,5	170	
20050	ATSD - 7	11,0	200	
20060	ATSD - 8	13,0	230	
20070	ATSDX - 4	6,5	135	1¼" INLET I = 32 mm
20080	ATSDX - 5	8,0	145	
20090	ATSDX - 6	9,5	170	
20100	ATSDX - 7	11,0	200	
20110	ATSDX - 8	13,0	230	
20120	ATSDX - 10	16,0	230	
20130	ATSDX - 12	19,0	230	



WITH LARGE THREAD T = 50 mm [2" 4½ TPI NPSM]

		ORIFICE [mm]	LENGTH [mm]	
20140	ATSD - 3 /50	4,8	135	1" INLET I = 25 mm
20150	ATSD - 4 /50	6,5	135	
20160	ATSD - 5 /50	8,0	145	
20170	ATSD - 6 /50	9,5	170	
20180	ATSD - 7 /50	11,0	200	
20190	ATSD - 8 /50	13,0	230	
20200	ATSDX - 4 /50	6,5	135	1¼" INLET I = 32 mm
20210	ATSDX - 5 /50	8,0	145	
20220	ATSDX - 6 /50	9,5	170	
20230	ATSDX - 7 /50	11,0	200	
20240	ATSDX - 8 /50	13,0	230	
20250	ATSDX - 10 /50	16,0	230	
20260	ATSDX - 12 /50	19,0	230	

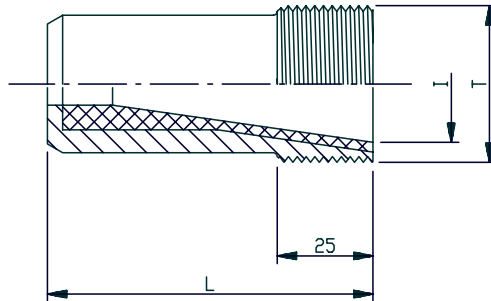


[Other sizes upon request]

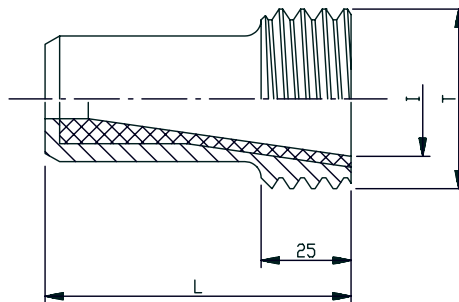


TUNGSTEN CARBIDE MEDIUM VENTURI NOZZLES WITH ALUMINIUM JACKET

ART.NR.	MODEL	DESCRIPTION
WITH FINE THREAD T = 41 mm [1 1/4" 11 1/2 TPI NPSM]		
		ORIFICE [mm] LENGTH [mm]
20270	ATJD - 3	4,8 85
20280	ATJD - 4	6,5 85
20290	ATJD - 5	8,0 85
20300	ATJD - 6	9,5 85
20310	ATJD - 7	11,0 85
20320	ATJD - 8	13,0 85
1" INLET		
l = 25 mm		
20329	ATJDX - 4	6,5 85
20330	ATJDX - 5	8,0 85
20340	ATJDX - 6	9,5 85
20350	ATJDX - 7	11,0 85
20360	ATJDX - 8	13,0 85
20370	ATJDX - 10	16,0 85
1 1/4" INLET		
l = 32 mm		



WITH LARGE THREAD T = 50 MM [2" 4 1/2 TPI NPSM]		
		ORIFICE [mm] LENGTH [mm]
20380	ATJD - 3 /50	4,8 85
20390	ATJD - 4 /50	6,5 85
20400	ATJD - 5 /50	8,0 85
20410	ATJD - 6 /50	9,5 85
20420	ATJD - 7 /50	11,0 85
20430	ATJD - 8 /50	13,0 85
1" INLET		
l = 25 mm		
20439	ATJDX - 4 /50	6,5 85
20440	ATJDX - 5 /50	8,0 85
20450	ATJDX - 6 /50	9,5 85
20460	ATJDX - 7 /50	11,0 85
20470	ATJDX - 8 /50	13,0 85
20480	ATJDX - 10 /50	16,0 85
1 1/4" INLET		
l = 32 mm		



[Other sizes upon request]

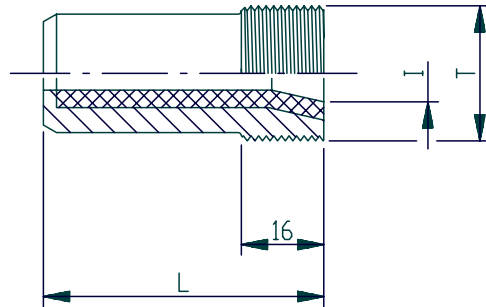


SHORT TUNGSTEN CARBIDE NOZZLES WITH ALUMINIUM JACKET

ART.NR.	MODEL	DESCRIPTION
WITH FINE THREAD T = 26 mm [3/4" 14 TPI NPSM]		
		ORIFICE [mm] LENGTH [mm]
20850	AT - 2	3,2 45
20860	AT - 3	4,8 45
20870	AT - 4	6,5 45
20880	AT - 5	8,0 45
20890	AT - 6	9,5 45
20900	AT - 8	13,0 45

1/2" INLET

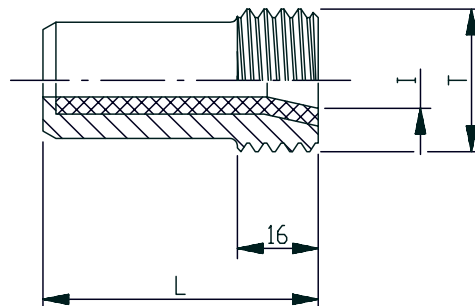
I = 13 mm



WITH LARGE THREAD T = 28 mm [3/4" 7 TPI NPSM]		
		ORIFICE [mm] LENGTH [mm]
20851	ATL - 2	3,2 45
20861	ATL - 3	4,8 45
20871	ATL - 4	6,5 45
20881	ATL - 5	8,0 45
20891	ATL - 6	9,5 45
20901	ATL - 8	13,0 45

1/2" INLET

I = 13 mm

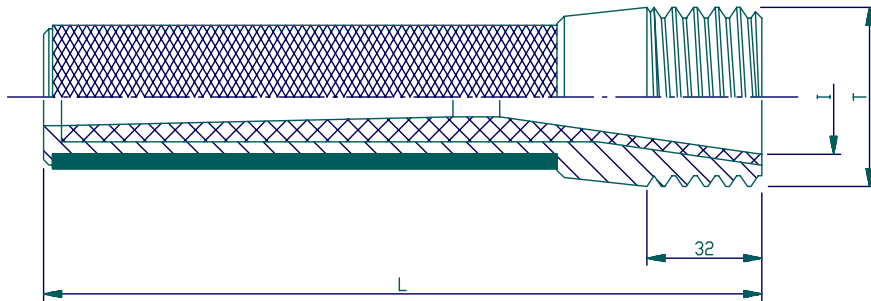




TUNGSTEN CARBIDE LONG VENTURI NOZZLES WITH RUBBER JACKET

ART.NR.	MODEL	DESCRIPTION
		WITH LARGE THREAD T = 50 mm [2" 4¼ TPI NPSM] AND LARGE INLET I = 32 mm [1¼"]
		ORIFICE [mm] LENGTH [mm]
20490	RJL - 3 /50	4,8 135
20500	RJL - 4 /50	6,5 135
20510	RJL - 5 /50	8,0 145
20520	RJL - 6 /50	9,5 170
20530	RJL - 7 /50	11,0 200
20540	RJL - 8 /50	13,0 235
20541	RJL - 10 /50	16,0 235
20542	RJL - 12 /50	19,0 235

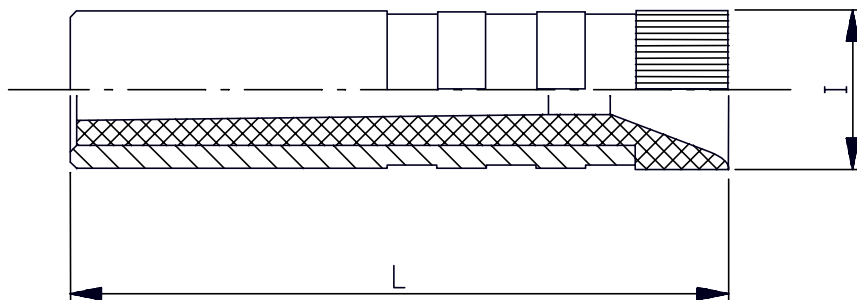
[Other sizes upon request]



TUNGSTEN CARBIDE STICK-UP NOZZLES WITH ALUMINIUM JACKET

ART.NR.	MODEL	DESCRIPTION
		FOR 1" HOSE ID [25 mm]
		ORIFICE [mm] LENGTH [mm]
21160	ATST - 5/25	8,0 115
21170	ATST - 6/25	9,5 115
		FOR 1¼" HOSE ID [32 mm]
21180	ATST - 5/32	8,0 115
21181	ATST - 6/32	9,5 115
21182	ATST - 8/32	13,0 115

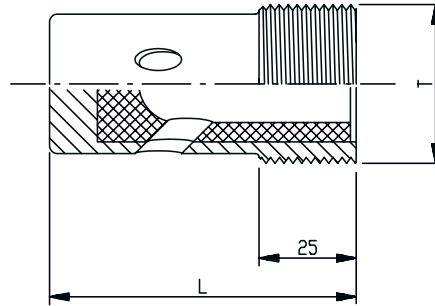
[Other sizes upon request]



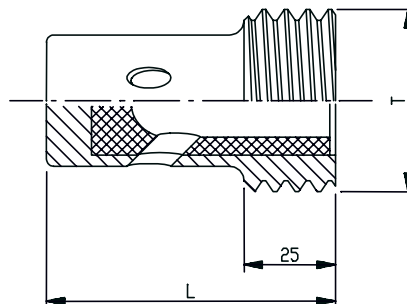


TUNGSTEN CARBIDE ANGLE NOZZLES WITH ALUMINIUM JACKET

ART.NR.	MODEL	DESCRIPTION
WITH FINE THREAD T = 41 mm [1 1/4" 11 1/2 TPI NPSM]		
		ORIFICE [mm] LENGTH [mm]
20550	AAM - 2 x 1	1 x 3,2 80
20560	AAM - 2 x 2	2 x 3,2 80
20570	AAM - 2 x 3	3 x 3,2 80
20580	AAM - 3 x 1	1 x 4,8 80
20590	AAM - 3 x 2	2 x 4,8 80
20600	AAM - 3 x 3	3 x 4,8 80
20610	AAM - 4 x 1	1 x 6,5 80
20620	AAM - 4 x 2	2 x 6,5 80
20630	AAM - 4 x 3	3 x 6,5 80
20640	AAM - 5 x 1	1 x 8,0 80
20650	AAM - 5 x 2	2 x 8,0 80
20660	AAM - 5 x 3	3 x 8,0 80
20670	AAM - 6 x 1	1 x 9,5 80
20680	AAM - 6 x 2	2 x 9,5 80
20690	AAM - 6 x 3	3 x 9,5 80



WITH LARGE THREAD T = 50 mm [2" 4 1/4 TPI NPSM]		
		ORIFICE [mm] LENGTH [mm]
20700	AAM - 2 x 1/50	1 x 3,2 80
20710	AAM - 2 x 2/50	2 x 3,2 80
20720	AAM - 2 x 3/50	3 x 3,2 80
20730	AAM - 3 x 1/50	1 x 4,8 80
20740	AAM - 3 x 2/50	2 x 4,8 80
20750	AAM - 3 x 3/50	3 x 4,8 80
20760	AAM - 4 x 1/50	1 x 6,5 80
20770	AAM - 4 x 2/50	2 x 6,5 80
20780	AAM - 4 x 3/50	3 x 6,5 80
20790	AAM - 5 x 1/50	1 x 8,0 80
20800	AAM - 5 x 2/50	2 x 8,0 80
20810	AAM - 5 x 3/50	3 x 8,0 80
20820	AAM - 6 x 1/50	1 x 9,5 80
20830	AAM - 6 x 2/50	2 x 9,5 80
20840	AAM - 6 x 3/50	3 x 9,5 80



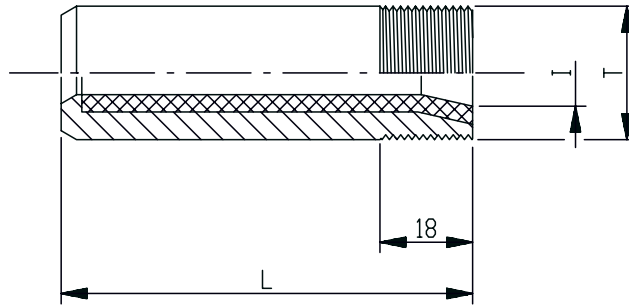


TUNGSTEN CARBIDE SPINNERBLAST NOZZLES WITH ALUMINIUM JACKET

ART.NR.	MODEL	DESCRIPTION
WITH FINE THREAD T = 26 mm [3/4" 14 TPI NPSM]		
		ORIFICE [mm] LENGTH [mm]
21070	ASB - 13	6,5 55
21080	ASB - 14	8,0 55
21090	ASB - 15	8,0 85
21100	ASB - 16	9,5 55
21110	ASB - 17	9,5 108

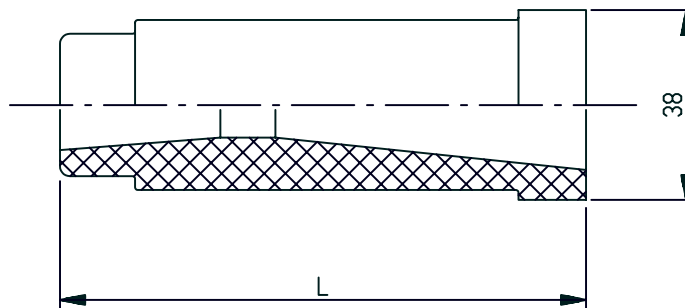
1/2" INLET

l = 13 mm



CIRCLEBLAST NOZZLES

ART.NR.	MODEL	DESCRIPTION
TUNGSTEN CARBIDE		
		ORIFICE [mm] LENGTH [mm]
21120	AHBN - 8	13,0 105
21130	AHBN - 10	16,0 105





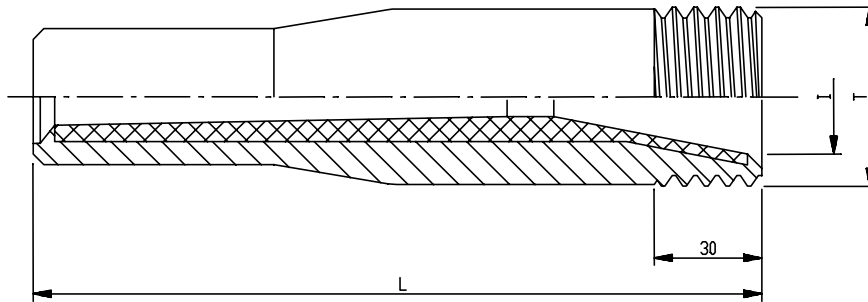
SILICON NITRIDE LONG VENTURI NOZZLES WITH POLYURETHANE JACKET

ART.NR.	MODEL	DESCRIPTION
WITH LARGE THREAD T = 50 mm [2" 4¼ TPI NPSM]		
		ORIFICE [mm] LENGTH [mm]
20261	ABSN - 3 /50	4,8 115
20262	ABSN - 4 /50	6,5 135
20263	ABSNX - 5 /50	8,0 150
20264	ABSNX - 6 /50	9,5 170
20265	ABSNX - 7 /50	11,0 205
20267	ABSNX - 8 /50	13,0 235

**1" INLET
l = 25 mm**

**1¼" INLET
l = 32 mm**

[Other sizes upon request]

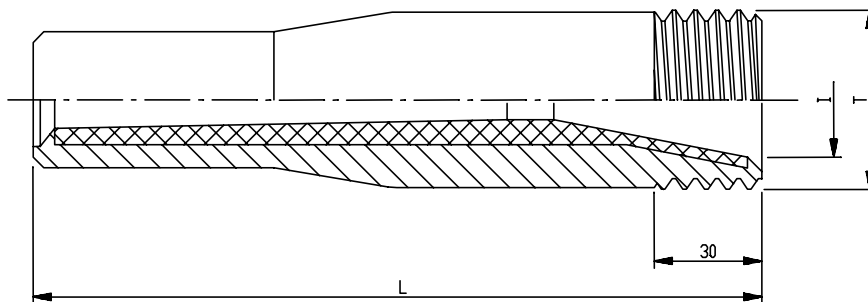


SILICON CARBIDE LONG VENTURI NOZZLES WITH POLYURETHANE JACKET

ART.NR.	MODEL	DESCRIPTION
WITH LARGE THREAD T = 50 mm [2" 4½ TPI NPSM]		
		ORIFICE [mm] LENGTH [mm]
20481	ABSC - 3 /50	4,8 105
20482	ABSC - 4 /50	6,5 135
20483	ABSCX - 5 /50	8,0 145
20484	ABSCX - 6 /50	9,5 170
20485	ABSCX - 7 /50	11,0 200
20486	ABSCX - 8 /50	13,0 230

**1" INLET
l = 25 mm**

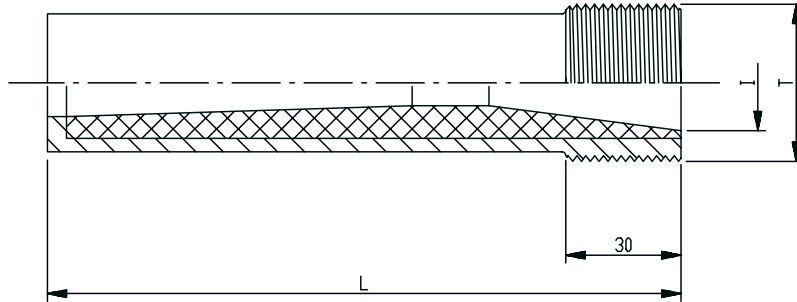
**1¼" INLET
l = 32 mm**



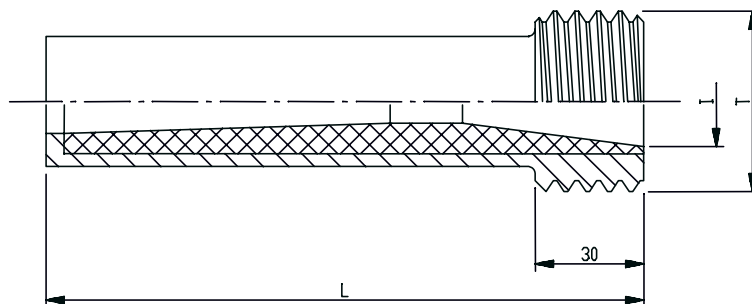


BORON CARBIDE LONG VENTURI NOZZLES WITH ALUMINIUM JACKET, BLACK FINISH

ART.NR.	MODEL	DESCRIPTION
WITH FINE THREAD T = 41 mm [1 1/4" 11 1/2 TPI NPSM]		
		ORIFICE [mm] LENGTH [mm]
21219	ABC - 3	5,0 140
21220	ABC - 4	6,0 140
21221	ABC - 5	8,0 140
21222	ABC - 5	8,0 165
21223	ABC - 6	10,0 165
21224	ABC - 8	12,0 165
21225	ABC - 8	12,0 220
21226	ABC - 9	14,0 220
1" INLET l = 25 mm		
23070	ABCX - 3	5,0 140
23071	ABCX - 4	6,0 140
23072	ABCX - 5	8,0 140
23073	ABCX - 5	8,0 165
23074	ABCX - 6	10,0 165
23075	ABCX - 8	12,0 165
23076	ABCX - 8	12,0 220
23077	ABCX - 9	14,0 220
1 1/4" INLET l = 32 mm		



WITH LARGE THREAD T = 50 mm [2" 4 1/2 TPI NPSM]		
		ORIFICE [mm] LENGTH [mm]
21206	ABC - 3 /50	5,0 140
21207	ABC - 4 /50	6,0 140
21208	ABC - 5 /50	8,0 140
21209	ABC - 5 /50	8,0 165
21210	ABC - 6 /50	10,0 165
21211	ABC - 8 /50	12,0 165
21212	ABC - 8 /50	12,0 220
21213	ABC - 9 /50	14,0 220
1" INLET l = 25 mm		
23078	ABCX - 3 /50	5,0 140
23079	ABCX - 4 /50	6,0 140
23080	ABCX - 5 /50	8,0 140
23081	ABCX - 5 /50	8,0 165
23082	ABCX - 6 /50	10,0 165
23083	ABCX - 8 /50	12,0 165
23084	ABCX - 8 /50	12,0 220
23085	ABCX - 9 /50	14,0 220
1 1/4" INLET l = 32 mm		

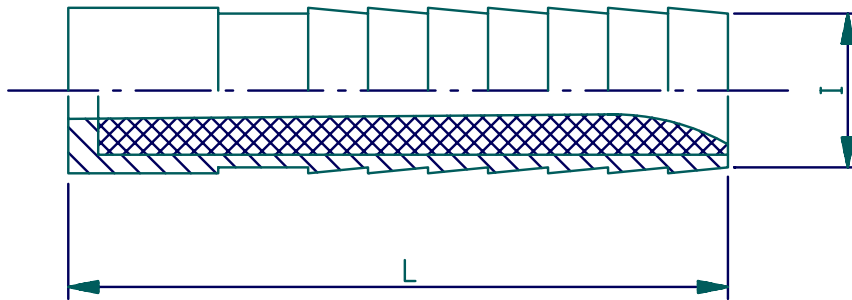




BORON CARBIDE STICK-UP NOZZLES WITH ALUMINIUM JACKET

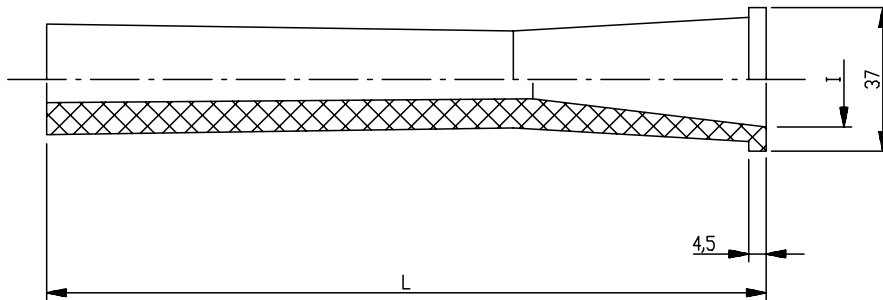
ART.NR.	MODEL	DESCRIPTION																		
FOR 1" HOSE ID [I = 25 mm]																				
		<table style="width: 100%; border: none;"> <thead> <tr> <th style="text-align: left;">ORIFICE [mm]</th> <th style="text-align: left;">LENGTH [mm]</th> </tr> </thead> <tbody> <tr> <td>21190</td> <td>ABCS - 3 /25</td> <td style="text-align: center;">5,0</td> <td style="text-align: center;">100</td> </tr> <tr> <td>21191</td> <td>ABCS - 4 /25</td> <td style="text-align: center;">6,0</td> <td style="text-align: center;">100</td> </tr> <tr> <td>21192</td> <td>ABCS - 5 /25</td> <td style="text-align: center;">8,0</td> <td style="text-align: center;">100</td> </tr> <tr> <td>21193</td> <td>ABCS - 6 /25</td> <td style="text-align: center;">10,0</td> <td style="text-align: center;">100</td> </tr> </tbody> </table>	ORIFICE [mm]	LENGTH [mm]	21190	ABCS - 3 /25	5,0	100	21191	ABCS - 4 /25	6,0	100	21192	ABCS - 5 /25	8,0	100	21193	ABCS - 6 /25	10,0	100
ORIFICE [mm]	LENGTH [mm]																			
21190	ABCS - 3 /25	5,0	100																	
21191	ABCS - 4 /25	6,0	100																	
21192	ABCS - 5 /25	8,0	100																	
21193	ABCS - 6 /25	10,0	100																	

FOR 1¼" HOSE ID [I = 32 mm]																								
		<table style="width: 100%; border: none;"> <thead> <tr> <th style="text-align: left;">ORIFICE [mm]</th> <th style="text-align: left;">LENGTH [mm]</th> </tr> </thead> <tbody> <tr> <td>21194</td> <td>ABCS - 4 /32</td> <td style="text-align: center;">6,0</td> <td style="text-align: center;">110</td> </tr> <tr> <td>21195</td> <td>ABCS - 5 /32</td> <td style="text-align: center;">8,0</td> <td style="text-align: center;">110</td> </tr> <tr> <td>21196</td> <td>ABCS - 6 /32</td> <td style="text-align: center;">10,0</td> <td style="text-align: center;">110</td> </tr> <tr> <td>21197</td> <td>ABCS - 8 /32</td> <td style="text-align: center;">12,0</td> <td style="text-align: center;">110</td> </tr> <tr> <td>21198</td> <td>ABCS - 9 /32</td> <td style="text-align: center;">14,0</td> <td style="text-align: center;">110</td> </tr> </tbody> </table>	ORIFICE [mm]	LENGTH [mm]	21194	ABCS - 4 /32	6,0	110	21195	ABCS - 5 /32	8,0	110	21196	ABCS - 6 /32	10,0	110	21197	ABCS - 8 /32	12,0	110	21198	ABCS - 9 /32	14,0	110
ORIFICE [mm]	LENGTH [mm]																							
21194	ABCS - 4 /32	6,0	110																					
21195	ABCS - 5 /32	8,0	110																					
21196	ABCS - 6 /32	10,0	110																					
21197	ABCS - 8 /32	12,0	110																					
21198	ABCS - 9 /32	14,0	110																					



BORON ALLOY FLANGED NOZZLES

ART.NR.	MODEL	DESCRIPTION																		
		<table style="width: 100%; border: none;"> <thead> <tr> <th style="text-align: left;">ORIFICE [mm]</th> <th style="text-align: left;">LENGTH [mm]</th> </tr> </thead> <tbody> <tr> <td>21199</td> <td>ABSD - 5</td> <td style="text-align: center;">8,0</td> <td style="text-align: center;">140</td> </tr> <tr> <td>21200</td> <td>ABSD - 6</td> <td style="text-align: center;">9,5</td> <td style="text-align: center;">165</td> </tr> <tr> <td>21201</td> <td>ABSD - 7</td> <td style="text-align: center;">11,0</td> <td style="text-align: center;">197</td> </tr> <tr> <td>21202</td> <td>ABSD - 8</td> <td style="text-align: center;">13,0</td> <td style="text-align: center;">220</td> </tr> </tbody> </table>	ORIFICE [mm]	LENGTH [mm]	21199	ABSD - 5	8,0	140	21200	ABSD - 6	9,5	165	21201	ABSD - 7	11,0	197	21202	ABSD - 8	13,0	220
ORIFICE [mm]	LENGTH [mm]																			
21199	ABSD - 5	8,0	140																	
21200	ABSD - 6	9,5	165																	
21201	ABSD - 7	11,0	197																	
21202	ABSD - 8	13,0	220																	

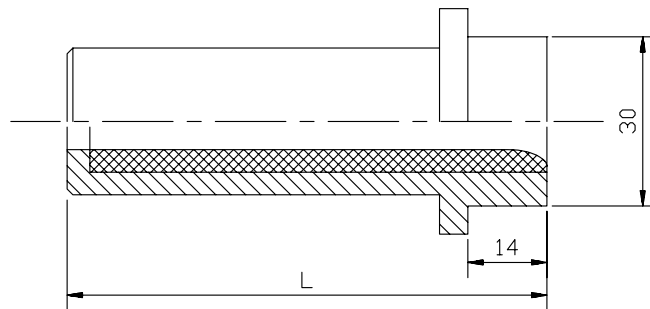


21205 Retainer with large 50 mm thread for Boron Alloy Flanged Nozzles



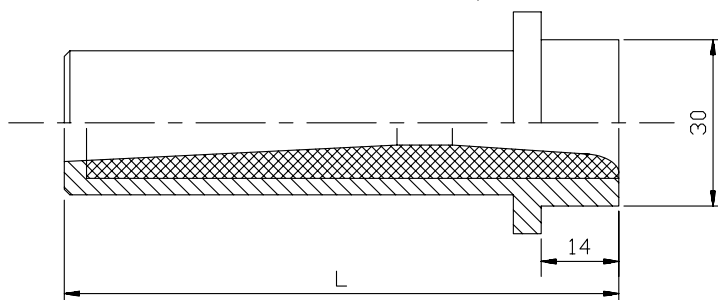
BORON CARBIDE STRAIGHT NOZZLES WITH ALUMINIUM JACKET, BLACK FINISH

ART.NR.	MODEL	DESCRIPTION		
MEDIUM LENGTH FLANGED TYPE STRAIGHT NOZZLES FOR USE IN COMBINATION WITH "ABCLI" LEAD-IN NOZZLES AND "ANH" NOZZLE HOLDERS				
		<table style="width: 100%; border: none;"> <thead> <tr> <th style="text-align: left;">ORIFICE [mm]</th> <th style="text-align: left;">LENGTH [mm]</th> </tr> </thead> </table>	ORIFICE [mm]	LENGTH [mm]
ORIFICE [mm]	LENGTH [mm]			
21271	ABCM - 3	3,0 55		
21272	ABCM - 4	4,0 55		
21273	ABCM - 5	5,0 55		
21274	ABCM - 6	6,0 86		
21275	ABCM - 7	7,0 86		
21276	ABCM - 8	8,0 86		
21277	ABCM - 9	9,0 86		
21278	ABCM -10	10,0 86		
21279	ABCM -11	11,0 86		
21280	ABCM -12	12,0 86		
21281	ABCM -13	13,0 86		
21282	ABCM -14	14,0 86		
21283	ABCM -15	15,0 86		



BORON CARBIDE LONG VENTURI NOZZLES WITH ALUMINIUM JACKET, BLACK FINISH

ART.NR.	MODEL	DESCRIPTION		
LONG LENGTH FLANGED TYPE VENTURI NOZZLES FOR USE IN COMBINATION WITH "ABCLI" LEAD-IN NOZZLES AND "ANH" NOZZLE HOLDERS				
		<table style="width: 100%; border: none;"> <thead> <tr> <th style="text-align: left;">ORIFICE [mm]</th> <th style="text-align: left;">LENGTH [mm]</th> </tr> </thead> </table>	ORIFICE [mm]	LENGTH [mm]
ORIFICE [mm]	LENGTH [mm]			
21324	ABCL - 6	6,0 100		
21325	ABCL - 7	7,0 100		
21284	ABCL - 8	8,0 100		
21285	ABCL - 9	9,0 100		
21286	ABCL -10	10,0 100		
21287	ABCL -11	11,0 100		
21288	ABCL -12	12,0 100		
21289	ABCL -13	13,0 100		
21290	ABCL -14	14,0 100		
21291	ABCL -15	15,0 100		



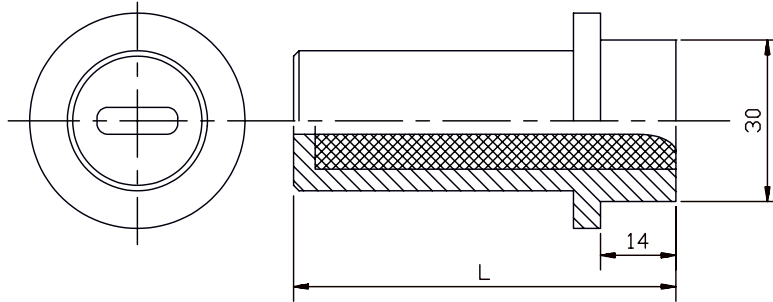


BORON CARBIDE FISHTAIL NOZZLES WITH ALUMINIUM JACKET, BLACK FINISH

ART.NR.	MODEL	DESCRIPTION
---------	-------	-------------

FLANGED TYPE FISHTAIL NOZZLES FOR USE IN
COMBINATION WITH "ABCLI" LEAD-IN NOZZLES AND
"ANH" NOZZLE HOLDERS

		ORIFICE [mm]	LENGTH [mm]
21302	ABCFT - 10 / 4	10 x 4	72
21303	ABCFT - 15 / 5	15 x 5	72
21304	ABCFT - 16 / 8	16 x 8	82

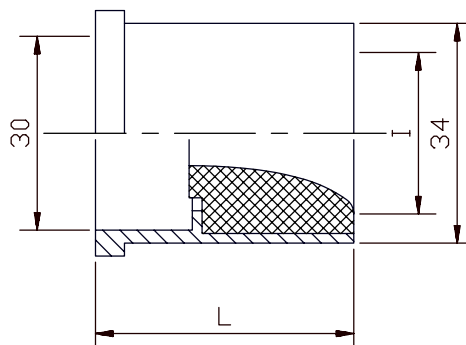


BORON CARBIDE LEAD-IN NOZZLES WITH ALUMINIUM JACKET, BLACK FINISH

ART.NR.	MODEL	DESCRIPTION
---------	-------	-------------

LEAD-IN NOZZLES FOR USE IN COMBINATION WITH
"ABCM, ABCL, ABCFT, ABCA" NOZZLES AND "ANH"
NOZZLE HOLDERS

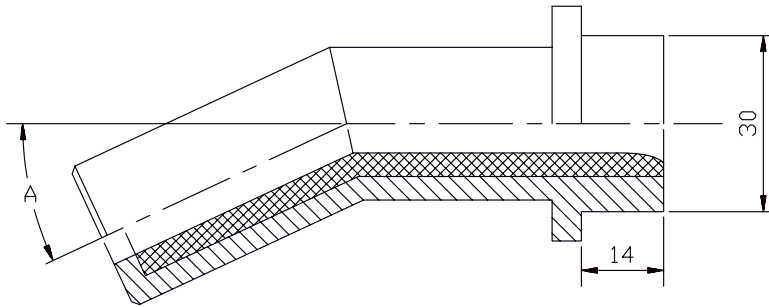
		ORIFICE [mm]	LENGTH [mm]
21292	ABCLI - 6	6,0	40
21293	ABCLI - 7	7,0	40
21294	ABCLI - 8	8,0	40
21295	ABCLI - 9	9,0	40
21296	ABCLI - 10	10,0	40
21297	ABCLI - 11	11,0	40
21298	ABCLI - 12	12,0	40
21299	ABCLI - 13	13,0	40
21300	ABCLI - 14	14,0	40
21301	ABCLI - 15	15,0	40





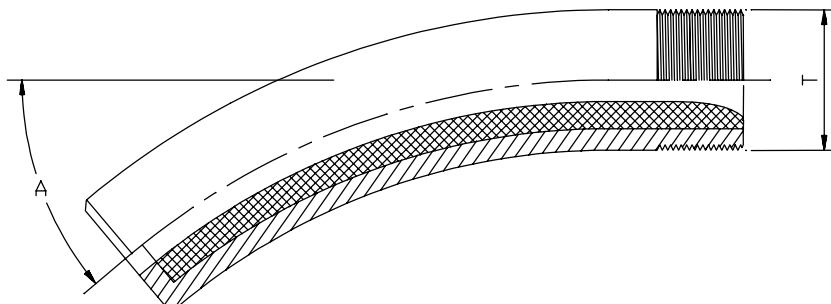
BORON CARBIDE ANGLE NOZZLES WITH METAL JACKET

ART.NR.	MODEL	DESCRIPTION			
FLANGED TYPE ANGLE NOZZLES FOR USE IN COMBINATION WITH "ABCLI" LEAD-IN NOZZLES AND "ANH" NOZZLE HOLDERS					
		<table style="width: 100%; border: none;"> <thead> <tr> <th style="text-align: center;">ORIFICE [mm]</th> <th style="text-align: center;">LENGTH [mm]</th> <th style="text-align: center;">ANGLE [°]</th> </tr> </thead> </table>	ORIFICE [mm]	LENGTH [mm]	ANGLE [°]
ORIFICE [mm]	LENGTH [mm]	ANGLE [°]			
21307	ABCA - 20 / 8	8,0 100 20			
21308	ABCA - 20 / 10	10,0 100 20			
21309	ABCA - 20 / 12	12,0 100 20			
21310	ABCA - 25 / 8	8,0 100 25			
21311	ABCA - 25 / 10	10,0 100 25			
21312	ABCA - 25 / 12	12,0 100 25			
21313	ABCA - 30 / 8	8,0 105 30			
21314	ABCA - 30 / 10	10,0 105 30			
21315	ABCA - 30 / 12	12,0 105 30			
21316	ABCA - 40 / 8	8,0 115 40			
21317	ABCA - 40 / 10	10,0 115 40			
21318	ABCA - 40 / 12	12,0 115 40			



BORON CARBIDE CURVED NOZZLES WITH METAL JACKET

ART.NR.	MODEL	DESCRIPTION			
CURVED NOZZLES WITH FINE THREAD T = 26 mm [¾" 14 TPI NPSM]					
		<table style="width: 100%; border: none;"> <thead> <tr> <th style="text-align: center;">ORIFICE [mm]</th> <th style="text-align: center;">LENGTH [mm]</th> <th style="text-align: center;">ANGLE [°]</th> </tr> </thead> </table>	ORIFICE [mm]	LENGTH [mm]	ANGLE [°]
ORIFICE [mm]	LENGTH [mm]	ANGLE [°]			
21319	ABCC - 40 / 6	6,0 125 40			
21321	ABCC - 40 / 8	8,0 125 40			
21322	ABCC - 40 / 10	10,0 125 40			

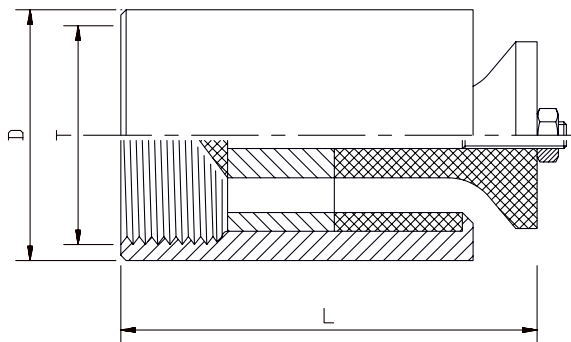




BORON CARBIDE BLAST HEAD 360° WITH METAL JACKET AND REPLACEABLE DEFLECTING PIECE

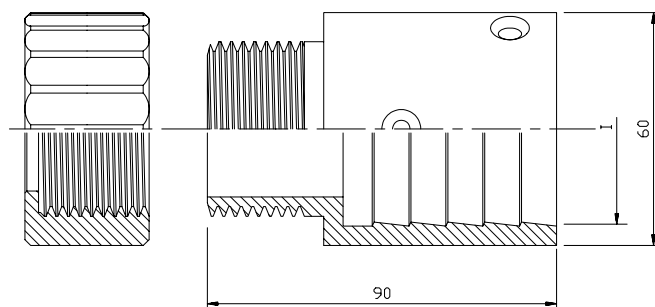
ART.NR.	MODEL	DESCRIPTION	THREAD T ["]	D [mm]	LENGTH [mm]
23090	ABCR - 38		R 3/8"	22	61
23091	ABCR - 24		R 1/2"	23	61
23092	ABCR - 34		R 3/4"	30	73
23093	ABCR - 44		R 1 1/4"	38	73
23094	ABCR - 54		R 1 1/4"	47	78
23095	ABCR - 64		R 1 1/2"	53	78

23096	Deflecting piece for ABCR - 38
23097	Deflecting piece for ABCR - 24
23098	Deflecting piece for ABCR - 34
23099	Deflecting piece for ABCR - 44
23100	Deflecting piece for ABCR - 54



ALUMINIUM NOZZLE HOLDERS FOR USE IN COMBINATION WITH LEAD-IN NOZZLES

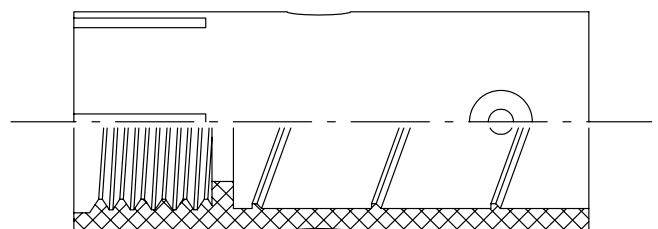
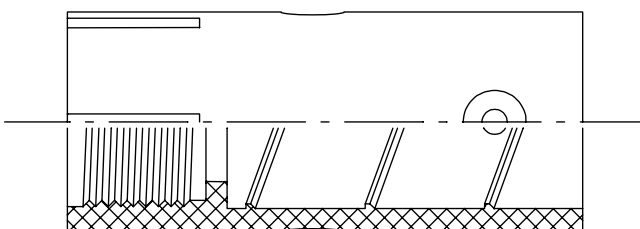
ART.NR.	MODEL	DESCRIPTION
21371	ANH - 39	COMPLETE WITH PLASTIC TIGHTENING NUT, TO BE USED IN COMBINATION WITH BORON CARBIDE FLANGE NOZZLES AND ABCLI LEAD-IN NOZZLES: Fits to 39 mm O.D. - 25 mm I.D. hose (1") Fits to 48 mm O.D. - 32 mm I.D. hose (1 1/4")
21381	AHN - 48	





NOZZLE HOLDERS AND WASHERS

ART.NR.	MODEL	DESCRIPTION
NYLON :		
FINE THREAD (41 mm - 1 1/4")		
21231	NNH - 0	Fits to 27 mm O.D. - 13 mm I.D. hose (1/2") 3/4" Thread
21236	NNH - 3/4	Fits to 33 mm O.D. - 19 mm I.D. hose (3/4")
21241	NNH - 1	Fits to 39 mm O.D. - 25 mm I.D. hose (1")
21251	NNH - 2	Fits to 48 mm O.D. - 32 mm I.D. hose (1 1/4")
21261	NNH - 3	Fits to 56 mm O.D. - 38 mm I.D. hose (1 1/2")
LARGE THREAD (50 mm - 2")		
21230	NNH - 0 /50	Fits to 27 mm O.D. - 13 mm I.D. hose (1/2") 3/4" Thread
21235	NNH - 3/4 /50	Fits to 33 mm O.D. - 19 mm I.D. hose (3/4")
21240	NNH - 1 /50	Fits to 39 mm O.D. - 25 mm I.D. hose (1")
21250	NNH - 2 /50	Fits to 48 mm O.D. - 32 mm I.D. hose (1 1/4")
21260	NNH - 3 /50	Fits to 56 mm O.D. - 38 mm I.D. hose (1 1/2")
21631	CFN	Quick nozzle holder for all 1 1/4" fine thread nozzles
ALUMINIUM :		
FINE THREAD (41 mm - 1 1/4")		
21331	CHE - 0	Fits to 27 mm O.D. - 13 mm I.D. hose (1/2") 3/4" Thread
21332	CHE - 3/4	Fits to 33 mm O.D. - 19 mm I.D. hose (3/4") (incl. adaptor)
21340	CHE - 1	Fits to 39 mm O.D. - 25 mm I.D. hose (1")
21350	CHE - 2	Fits to 48 mm O.D. - 32 mm I.D. hose (1 1/4")
LARGE THREAD (50 mm - 2")		
21370	CHE - 1 /50	Fits to 39 mm O.D. - 25 mm I.D. hose (1")
21380	CHE - 2 /50	Fits to 48 mm O.D. - 32 mm I.D. hose (1 1/4")
21205		Retainer nut for Boron Alloy Flange Nozzles
21620	CFA	Quick nozzle holder for all 1 1/4" fine thread nozzles
21270	CFA	Quick nozzle holder for all 2" large thread nozzles
21333		Adaptor for CHE - 3/4" - 3/4" Fine Thread
NOZZLE WASHERS :		
21400	AW - 0	For nozzles with 1/2" inlet, 3/4" thread nozzle holders
21410	AW - 25	For nozzles with 1" inlet, 1 1/4" fine thread nozzle holders
21411	AW - 25 /N	For nozzles with 1" inlet, 2" large thread nylon nozzle holders
21420	AW - 32	For nozzles with 1 1/4" inlet, 2" large thread aluminium nozzle holders
21421	AW - 32 /N	For nozzles with 1 1/4" inlet, 2" large thread nylon nozzle holders
COUPLING SCREWS		
21660	KS - 0	Screws for 1/2" ID hose
21670	KS	Screws for hoses larger than 1/2" ID

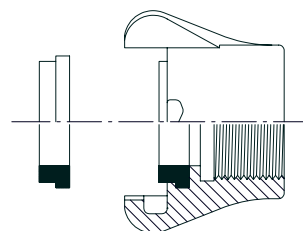
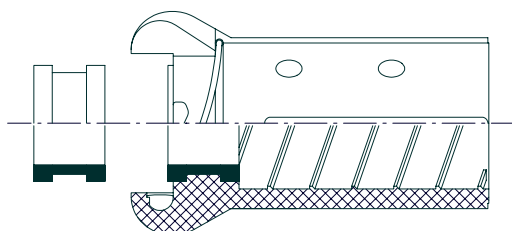




BLAST HOSE AND MACHINE COUPLINGS

ART.NR.	MODEL	DESCRIPTION
ALUMINIUM HOSE COUPLINGS		
21551	CQA - 0	Fits to 27 mm O.D. - 12 mm I.D. hose (1/2")
21430	CQA - 1	Fits to 39 mm O.D. - 25 mm I.D. hose (1")
21440	CQA - 2	Fits to 48 mm O.D. - 32 mm I.D. hose (1 1/4")
21450	CQA - 3	Fits to 56 mm O.D. - 38 mm I.D. hose (1 1/2")
CAST IRON HOSE COUPLINGS		
21470	CQT - 1	Fits to 39 mm O.D. - 25 mm I.D. hose (1")
21480	CQT - 2	Fits to 48 mm O.D. - 32 mm I.D. hose (1 1/4")
21490	CQT - 3	Fits to 56 mm O.D. - 38 mm I.D. hose (1 1/2")
21500	CQT - 4	Fits to 60 mm O.D. - 42 mm I.D. hose (1 3/4")
NYLON HOSE COUPLINGS		
21508	CQN - 0	Fits to 27 mm O.D. - 12 mm I.D. hose (1/2")
21509	CQN - 3/4	Fits to 33 mm O.D. - 19 mm I.D. hose (3/4")
21510	CQN - 1	Fits to 39 mm O.D. - 25 mm I.D. hose (1")
21520	CQN - 2	Fits to 48 mm O.D. - 32 mm I.D. hose (1 1/4")
21530	CQN - 3	Fits to 56 mm O.D. - 38 mm I.D. hose (1 1/2")
21540	CQN - 4	Fits to 60 mm O.D. - 42 mm I.D. hose (1 3/4")
21541		Safety spring for CQN hose couplings
BRASS HOSE COUPLINGS		
21550	CQB - 0	Fits to 27 mm O.D. - 12 mm I.D. hose (1/2")
21560	CQB - 1	Fits to 33 mm O.D. - 19 mm I.D. hose (3/4")
21570	CQB - 2	Fits to 39 mm O.D. - 25 mm I.D. hose (1")
21580	CQB - 3	Fits to 48 mm O.D. - 32 mm I.D. hose (1 1/4")
21590	CQB - 4	Fits to 56 mm O.D. - 38 mm I.D. hose (1 1/2")
THREADED CLAW COUPLINGS, ALSO USEABLE AS QUICK NOZZLE HOLDERS		
21600	CFB - 0	Brass 1/2" thread
21610	CFB	Brass 1 1/4" thread
21620	CFA	Aluminium 1 1/4" thread
21270	CFA / 50	Aluminium 2" large thread
21630	CFT	Cast iron 1 1/4" thread
21320	CFT / 50	Cast iron 2" large thread
21631	CFN	Nylon 1 1/4" thread
COUPLING GASKETS		
21635	CQ - 0	Gasket for CQN-0
21645	CQG - B	Gasket for CQB-0, CFB-0
21651	CQG - 1	Gasket for CQN-1
21652	CQG - 2	Gasket for CQN-2, -3, -4, CFN
21650	CQG	Gasket for CQA, CQB, CQT, CFA, CFB, CFT
COUPLING SCREWS		
21660	KS - 0	Screws for 1/2" ID hose
21670	KS	Screws for hoses larger than 1/2" ID

Couplings supplied with necessary gasket.





BLAST HOSE AND TWIN LINE AIR CONTROL HOSE

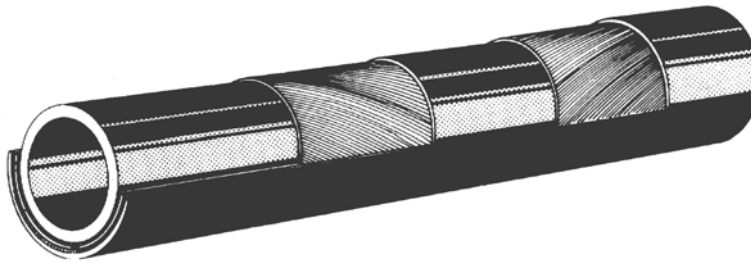
ART.NR.	MODEL	DESCRIPTION
BLAST HOSE - HEAVY		
Heavy execution, Working Pressure 12 Bar Suitable for all abrasives		
WEAR FACTOR 60 mm³ acc. to DIN 53516		
25060	13 x 7	1/2" 13 mm hose I.D. , 27 mm hose O.D.
25061	19 x 7	3/4" 19 mm hose I.D. , 33 mm hose O.D.
25070	25 x 7	1" 25 mm hose I.D. , 39 mm hose O.D.
25080	32 x 8	1 1/4" 32 mm hose I.D. , 48 mm hose O.D.
25090	38 x 9	1 1/2" 38 mm hose I.D. , 56 mm hose O.D.
25100	42 x 9	1 3/4" 42 mm hose I.D. , 60 mm hose O.D.
25110	50 x 11	2" 50 mm hose I.D. , 72 mm hose O.D.

BLAST HOSE - EXTRA HEAVY

**Extra heavy execution, Working Pressure 12 Bar
For sharp-edged hard abrasives,
(Aluminium-Oxide, Steel Grit, Glass)**

WEAR FACTOR 36 mm³ acc. to DIN 53516

25120	13 x 7	1/2" 13 mm hose I.D. , 27 mm hose O.D.
25021	19 x 7	3/4" 19 mm hose I.D. , 33 mm hose O.D.
25130	25 x 7	1" 25 mm hose I.D. , 39 mm hose O.D.
25140	32 x 8	1 1/4" 32 mm hose I.D. , 48 mm hose O.D.
25150	38 x 9	1 1/2" 38 mm hose I.D. , 56 mm hose O.D.
25160	42 x 9	1 3/4" 42 mm hose I.D. , 60 mm hose O.D.
25170	50 x 11	2" 50 mm hose I.D. , 72 mm hose O.D.



TWIN LINE AIR CONTROL HOSE

ART.NR.	MODEL	DESCRIPTION
2527101	5 x 11	3/16" - 5 mm I.D. twin hose
25271	6 x 14	1/4" - 6 mm I.D. twin hose
25272	6 x 14	1/4" - 6 mm I.D. twin hose - 20 meters
25273	6 x 14	1/4" - 6 mm I.D. twin hose - 40 meters
2178901		5 mm Hose barb with 1/4" swivel nut, brass
21789		6 mm Hose barb with 1/4" swivel nut, brass
11443		Twin hose coupled, length of 5 meters
11444		Twin hose coupled, length of 20 meters
11445		Twin hose coupled, length of 40 meters



SUCTION AND DISCHARGE HOSE

ART.NR.	MODEL	DESCRIPTION
		HEAVY DUTY RUBBER SUCTION AND DISCHARGE HOSE Working Pressure : 4.0 Bar Vacuum : 0.7 Bar Inner Tube : PARA Rubber Outer cover : NR / NBR Inlayers : Steel spiral, "Static Wire"
25180	51 x 64	2" Suction / Discharge hose
25181	63 x 76	2½" Suction / Discharge hose
25182	76 x 91	3" Suction / Discharge hose
25190	102 x 118	4" Suction / Discharge hose
25191	127 x 143	5" Suction / Discharge hose
25192	152 x 172	6" Suction / Discharge hose
		HEAVY DUTY PVC SUCTION AND DISCHARGE HOSE Vacuum : 0.7 Bar Inner Tube : Smooth Polyurethane Outer cover : PVC Inlayers : PVC spiral, "Static Wire"
25183	51 x 64	2" Suction / Discharge hose - WP : 8 Bar
25184	63 x 76	2½" Suction / Discharge hose - WP : 7 Bar
25185	76 x 91	3" Suction / Discharge hose - WP : 6 Bar
25186	102 x 118	4" Suction / Discharge hose - WP : 4 Bar
25187	127 x 145	5" Suction / Discharge hose - WP : 4 Bar
25188	152 x 173	6" Suction / Discharge hose - WP : 3 Bar
		MEDIUM DUTY PVC SUCTION AND DISCHARGE HOSE
32310	51 / PVC	2" Medium duty PVC Suction Hose
32320	76 / PVC	3" Medium duty PVC Suction Hose

[Other sizes upon request]

AIR HOSE AND HELMET AIR HOSE

ART.NR.	MODEL	DESCRIPTION
		AIR HOSE - (* DIN 20018)
25200	6 x 13	¼" 6 mm I.D. Air hose - BP : 54 bar / WP : 10 bar
25210	10 x 18	⅜" 10 mm I.D. Air hose - BP : 54 bar / WP : 10 bar
25211	13 x 23	½" 13 mm I.D. Air hose - BP : 54 bar / WP : 10 bar
25220	19 x 30	¾" 19 mm I.D. Air hose - BP : 54 bar / WP : 10 bar
25230	25 x 38 *	1" 25 mm I.D. Air hose - BP : 45 bar / WP : 15 bar
25240	32 x 46	1¼" 32 mm I.D. Air hose - BP : 45 bar / WP : 15 bar
25250	38 x 50	1½" 38 mm I.D. Air hose - BP : 40 bar / WP : 10 bar
25260	51 x 67	2" 51 mm I.D. Air hose - BP : 40 bar / WP : 10 bar
		HELMET AIR HOSE Working Pressure : 10 Bar (ISO 3821)
25270	9 x 16	⅜" 9 mm I.D. Helmet Air hose

[Other sizes upon request]

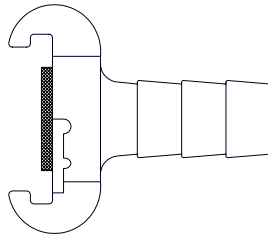


QUICK COUPLINGS

ART.NR.	MODEL	DESCRIPTION
---------	-------	-------------

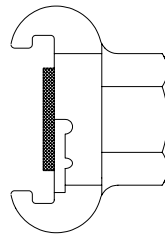
QUICK COUPLINGS - CAST IRON HOSE BARB

21680	SKG - 6	Quick coupling to fit 1/4" (6 mm) hose I.D.
21681	SKG - 10	Quick coupling to fit 3/8" (10 mm) hose I.D.
21682	SKG - 13	Quick coupling to fit 1/2" (13 mm) hose I.D.
21683	SKG - 15	Quick coupling to fit 5/8" (15 mm) hose I.D.
21684	SKG - 19	Quick coupling to fit 3/4" (19 mm) hose I.D.
21685	SKG - 25	Quick coupling to fit 1" (25 mm) hose I.D.
21686	SKG - 32	Quick coupling to fit 1 1/4" (32 mm) hose I.D.



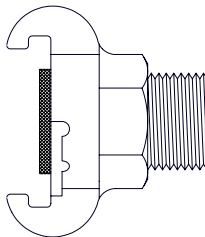
QUICK COUPLING - CAST IRON INSIDE THREAD

21690	KIG - 14	Quick coupling 1/4" inside thread, female
21691	KIG - 38	Quick coupling 3/8" inside thread, female
21692	KIG - 12	Quick coupling 1/2" inside thread, female
21693	KIG - 34	Quick coupling 3/4" inside thread, female
21694	KIG - 10	Quick coupling 1" inside thread, female
21696	KIG - 54	Quick coupling 1 1/4" inside thread, female



QUICK COUPLING - CAST IRON OUTSIDE THREAD

21700	KAG - 14	Quick coupling 1/4" outside thread, male
21701	KAG - 38	Quick coupling 3/8" outside thread, male
21702	KAG - 12	Quick coupling 1/2" outside thread, male
21703	KAG - 34	Quick coupling 3/4" outside thread, male
21704	KAG - 10	Quick coupling 1" outside thread, male



21640	CQG	Rubber coupling gasket for SKG, KIG and KAG
-------	-----	---

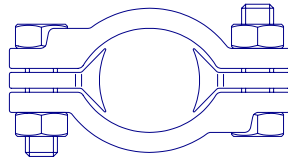


HOSE CLAMPS

ART.NR.	MODEL	DESCRIPTION
---------	-------	-------------

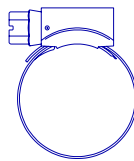
HOSE CLAMPS - CAST IRON

21710	SL - 29	Clamp for 22 - 29 mm hose O.D. (1/2" hose I.D.)
21711	SL - 34	Clamp for 28 - 34 mm hose O.D. (3/4" hose I.D.)
21712	SL - 40	Clamp for 32 - 40 mm hose O.D. (1" hose I.D.)
21713	SL - 49	Clamp for 39 - 49 mm hose O.D. (1 1/4" hose I.D.)
21714	SL - 60	Clamp for 48 - 60 mm hose O.D. (1 1/2" hose I.D.)
21715	SL - 76	Clamp for 60 - 76 mm hose O.D. (2" hose I.D.)
21716	SL - 94	Clamp for 77 - 94 mm hose O.D. (2 1/2" hose I.D.)
21717	SL - 115	Clamp for 94 - 115 mm hose O.D. (3" hose I.D.)
21718	SL - 145	Clamp for 115 - 145 mm hose O.D. (3 1/2" hose I.D.)

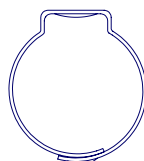


HOSE CLAMPS - STEEL

21720	HS - 14	Clamp for 8 - 14 mm hose O.D.
21721	HS - 20	Clamp for 13 - 20 mm hose O.D.
21722	HS - 25	Clamp for 15 - 25 mm hose O.D.
21723	HS - 32	Clamp for 22 - 32 mm hose O.D.
21724	HS - 44	Clamp for 32 - 44 mm hose O.D.
21725	HS - 50	Clamp for 38 - 50 mm hose O.D.
21726	HS - 65	Clamp for 50 - 65 mm hose O.D.
21727	HS - 75	Clamp for 58 - 75 mm hose O.D.
21728	HS - 85	Clamp for 68 - 85 mm hose O.D.
21729	HS - 95	Clamp for 77 - 95 mm hose O.D.
21730	HS - 112	Clamp for 87 - 112 mm hose O.D.
21731	HS - 138	Clamp for 104 - 138 mm hose O.D.
21732	HS - 165	Clamp for 130 - 165 mm hose O.D.



21733	EC - 12	Clamp for 10.4 - 12.3 mm hose O.D.
21734	EC - 14	Clamp for 10.0 - 13.8 mm hose O.D.
21735	EC - 17	Clamp for 15.1 - 17.0 mm hose O.D.
21736	EC - 23	Clamp for 20.0 - 23.0 mm hose O.D.
21737	EC - 31	Clamp for 27.0 - 31.0 mm hose O.D.



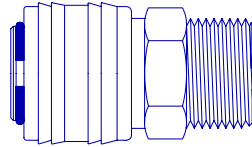


QUICK CONNECT COUPLINGS

ART.NR.	MODEL	DESCRIPTION
---------	-------	-------------

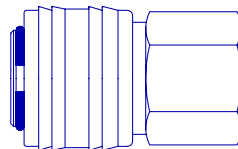
QUICK CONNECT COUPLINGS - BRASS OUTSIDE THREAD

21741	CCC - 14/O	Quick connect coupling $\frac{1}{4}$ " - outside thread, brass
21742	CCC - 38/O	Quick connect coupling $\frac{3}{8}$ " - outside thread, brass
21743	CCC - 12/O	Quick connect coupling $\frac{1}{2}$ " - outside thread, brass



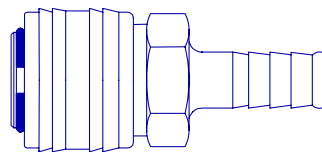
QUICK CONNECT COUPLINGS - BRASS INSIDE THREAD

21751	CCC - 14/I	Quick connect coupling $\frac{1}{4}$ " - inside thread, brass
21752	CCC - 38/I	Quick connect coupling $\frac{3}{8}$ " - inside thread, brass
21753	CCC - 12/I	Quick connect coupling $\frac{1}{2}$ " - inside thread, brass



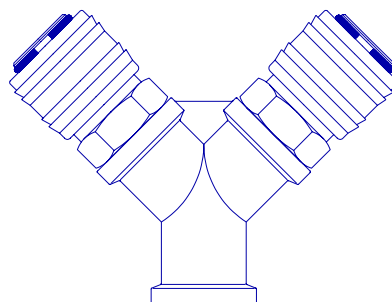
QUICK CONNECT COUPLINGS - BRASS WITH HOSE BARB

21760	CCC - 14/F	Quick connect coupling with $\frac{1}{4}$ " hose barb, brass (6 mm)
21761	CCC - 38/F	Quick connect coupling with $\frac{3}{8}$ " hose barb, brass (10 mm)
21762	CCC - 12/F	Quick connect coupling with $\frac{1}{2}$ " hose barb, brass (13 mm)



MANIFOLDS COMPLETE WITH QUICK COUPLINGS - BRASS

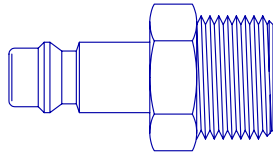
21800	M - 2	Manifold for 2 users - brass, ($\frac{3}{8}$ " inside thread)
21801	M - 3	Manifold for 3 users - brass, ($\frac{3}{8}$ " inside thread)



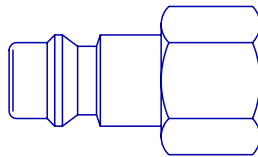


QUICK CONNECT PLUGS

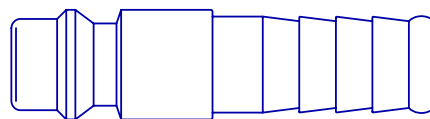
ART.NR.	MODEL	DESCRIPTION
PLUGS WITH OUTSIDE THREAD - BRASS, MALE		
21770	OF - 18	Plug with outside thread $\frac{1}{8}$ " - for connection to quick connect coupling
21771	OF - 14	Plug with outside thread $\frac{1}{4}$ " - for connection to quick connect coupling
21772	OF - 38	Plug with outside thread $\frac{3}{8}$ " - for connection to quick connect coupling
21773	OF - 12	Plug with outside thread $\frac{1}{2}$ " - for connection to quick connect coupling



PLUGS WITH INSIDE THREAD - BRASS, FEMALE		
21780	IF - 18	Plug with inside thread $\frac{1}{8}$ " - for connection to quick connect coupling
21781	IF - 14	Plug with inside thread $\frac{1}{4}$ " - for connection to quick connect coupling
21782	IF - 38	Plug with inside thread $\frac{3}{8}$ " - for connection to quick connect coupling
21783	IF - 12	Plug with inside thread $\frac{1}{2}$ " - for connection to quick connect coupling



PLUGS WITH HOSE BARB - BRASS		
21790	F - 14	Hose barb $\frac{1}{4}$ " (6 mm) for connection to quick connect coupling
21791	F - 38	Hose barb $\frac{3}{8}$ " (10 mm) for connection to quick connect coupling
21792	F - 12	Hose barb $\frac{1}{2}$ " (13 mm) for connection to quick connect coupling





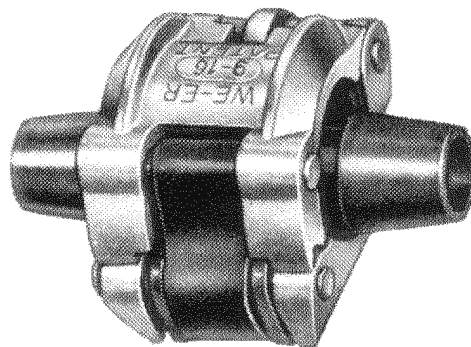
WE-ER QUICK RELEASE COUPLINGS FOR COMPRESSED AIR, WATER AND GAS

ART.NR.	MODEL	DESCRIPTION
WE-ER Quick Release Hose Couplings Model "N" and "S" For connection of hoses with identical hose I.D.		
22773	S - 0916	Fits to 9 mm I.D., 16 mm O.D. hose
22774	N - 1020 *	Fits to 10 mm I.D., 20 mm O.D. hose
22775	N - 1320 *	Fits to 13 mm I.D., 20 mm O.D. hose
22776	S - 1323	Fits to 13 mm I.D., 23 mm O.D. hose
22777	S - 1325	Fits to 13 mm I.D., 25 mm O.D. hose
22778	S - 1527	Fits to 15 mm I.D., 27 mm O.D. hose
22779	N - 1927	Fits to 19 mm I.D., 27 mm O.D. hose
22780	S - 1929	Fits to 19 mm I.D., 29 mm O.D. hose
22781	S - 1931	Fits to 19 mm I.D., 31 mm O.D. hose
22782	S - 1933	Fits to 19 mm I.D., 33 mm O.D. hose
22783	N - 2535	Fits to 25 mm I.D., 35 mm O.D. hose
22784	S - 2539	Fits to 25 mm I.D., 39 mm O.D. hose
22785	N - 2844 *	Fits to 28 mm I.D., 44 mm O.D. hose
22786	N - 3248 *	Fits to 32 mm I.D., 48 mm O.D. hose
22787	N - 3551 *	Fits to 35 mm I.D., 51 mm O.D. hose
22788	N - 3858 *	Fits to 38 mm I.D., 58 mm O.D. hose
22789	N - 4260 *	Fits to 42 mm I.D., 60 mm O.D. hose
22790	N - 5070 *	Fits to 50 mm I.D., 70 mm O.D. hose
22791	N - 5373 *	Fits to 53 mm I.D., 73 mm O.D. hose
22792	N - 6587	Fits to 65 mm I.D., 87 mm O.D. hose

WE-ER Quick Release Hose REDUCER Couplings Model "R" For connection of hoses with different hose I.D.

22793	R - 1013	Fits to 10 mm I.D. hose and 13 mm O.D hose
22794	R - 1015	Fits to 10 mm I.D. hose and 15 mm O.D hose
22795	R - 1019	Fits to 10 mm I.D. hose and 19 mm O.D hose
22796	R - 1315	Fits to 13 mm I.D. hose and 15 mm O.D hose
22797	R - 1319	Fits to 13 mm I.D. hose and 19 mm O.D hose
22798	R - 1519	Fits to 15 mm I.D. hose and 19 mm O.D hose
22799	R - 1925	Fits to 19 mm I.D. hose and 25 mm O.D hose

* marked couplings are steel couplings. All others are brass couplings.

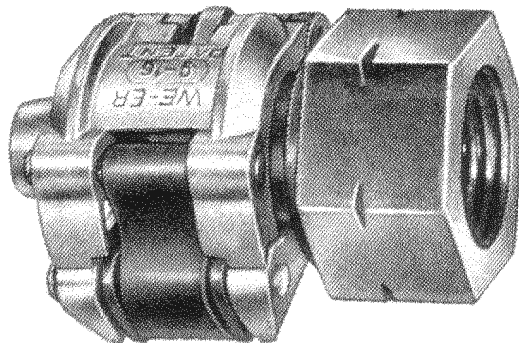




WE-ER QUICK RELEASE COUPLINGS FOR COMPRESSED AIR, WATER AND GAS

ART.NR.	MODEL	DESCRIPTION
WE-ER Connector couplings Model "KI" with inside thread and double clamping		
22800	KI - 0916 A	Fits to 9 mm I.D., 16 mm O.D. hose - R $\frac{3}{8}$ " Thread
22801	KI - 0916 B	Fits to 9 mm I.D., 16 mm O.D. hose - R $\frac{1}{2}$ " Thread
22802	KI - 0916 C	Fits to 9 mm I.D., 16 mm O.D. hose - R $\frac{3}{4}$ " Thread
22803	KI - 1020 A *	Fits to 10 mm I.D., 20 mm O.D. hose - R $\frac{3}{8}$ " Thread
22804	KI - 1020 B *	Fits to 10 mm I.D., 20 mm O.D. hose - R $\frac{1}{2}$ " Thread
22805	KI - 1323 A *	Fits to 13 mm I.D., 23 mm O.D. hose - R $\frac{3}{8}$ " Thread
22806	KI - 1323 B *	Fits to 13 mm I.D., 23 mm O.D. hose - R $\frac{1}{2}$ " Thread
22807	KI - 1323 C *	Fits to 13 mm I.D., 23 mm O.D. hose - R $\frac{3}{4}$ " Thread
22808	KI - 1325 A *	Fits to 13 mm I.D., 25 mm O.D. hose - R $\frac{3}{8}$ " Thread
22809	KI - 1325 B *	Fits to 13 mm I.D., 25 mm O.D. hose - R $\frac{1}{2}$ " Thread
22810	KI - 1325 C *	Fits to 13 mm I.D., 25 mm O.D. hose - R $\frac{3}{4}$ " Thread
22811	KI - 1527 A *	Fits to 15 mm I.D., 27 mm O.D. hose - R $\frac{3}{8}$ " Thread
22812	KI - 1527 B *	Fits to 15 mm I.D., 27 mm O.D. hose - R $\frac{1}{2}$ " Thread
22813	KI - 1527 C *	Fits to 15 mm I.D., 27 mm O.D. hose - R $\frac{3}{4}$ " Thread
22814	KI - 1527 D *	Fits to 15 mm I.D., 27 mm O.D. hose - R 1" Thread
22815	KI - 1527 E *	Fits to 15 mm I.D., 27 mm O.D. hose - Rd 32 x $\frac{1}{8}$ "
22816	KI - 1931 A *	Fits to 19 mm I.D., 31 mm O.D. hose - R $\frac{3}{8}$ " Thread
22817	KI - 1931 B *	Fits to 19 mm I.D., 31 mm O.D. hose - R $\frac{1}{2}$ " Thread
22818	KI - 1931 C *	Fits to 19 mm I.D., 31 mm O.D. hose - R $\frac{3}{4}$ " Thread
22819	KI - 1931 D *	Fits to 19 mm I.D., 31 mm O.D. hose - R 1" Thread
22820	KI - 1931 E *	Fits to 19 mm I.D., 31 mm O.D. hose - Rd 32 x $\frac{1}{8}$ "
22821	KI - 1933 A *	Fits to 19 mm I.D., 33 mm O.D. hose - R $\frac{3}{4}$ " Thread
22822	KI - 1933 B *	Fits to 19 mm I.D., 33 mm O.D. hose - R 1" Thread
22823	KI - 1933 C *	Fits to 19 mm I.D., 33 mm O.D. hose - Rd 32 x $\frac{1}{8}$ "
22824	KI - 2539 A *	Fits to 25 mm I.D., 39 mm O.D. hose - R $\frac{3}{4}$ " Thread
22825	KI - 2539 B *	Fits to 25 mm I.D., 39 mm O.D. hose - R 1" Thread
22826	KI - 2539 C *	Fits to 25 mm I.D., 39 mm O.D. hose - Rd 32 x $\frac{1}{8}$ "
22827	KI - 3248 A *	Fits to 32 mm I.D., 48 mm O.D. hose - R 1" Thread
22828	KI - 3248 B *	Fits to 32 mm I.D., 48 mm O.D. hose - R $\frac{1}{4}$ " Thread
22829	KI - 3858 *	Fits to 38 mm I.D., 58 mm O.D. hose - R $\frac{1}{2}$ " Thread
22830	KI - 5070 *	Fits to 50 mm I.D., 70 mm O.D. hose - R 2" Thread
22831	KI - 5373 *	Fits to 53 mm I.D., 73 mm O.D. hose - R 2" Thread
22832	KI - 6595	Fits to 53 mm I.D., 73 mm O.D. hose - R $\frac{2}{2}$ " Thread

* marked couplings are steel couplings. All others are brass couplings.





WE-ER QUICK RELEASE COUPLINGS FOR COMPRESSED AIR, WATER AND GAS

ART.NR.	MODEL	DESCRIPTION
WE-ER Connector couplings Model "KA" with outside thread and double clamping		
22835	KA - 0916 A *	Fits to 9 mm I.D., 16 mm O.D. hose - R 1/8" Thread
22836	KA - 0916 B *	Fits to 9 mm I.D., 16 mm O.D. hose - R 1/4" Thread
22837	KA - 1020 A *	Fits to 13 mm I.D., 20 mm O.D. hose - R 3/8" Thread
22838	KA - 1020 B *	Fits to 13 mm I.D., 20 mm O.D. hose - R 1/2" Thread
22839	KA - 1323 A *	Fits to 13 mm I.D., 23 mm O.D. hose - R 3/8" Thread
22840	KA - 1323 B *	Fits to 13 mm I.D., 23 mm O.D. hose - R 1/2" Thread
22841	KA - 1323 C *	Fits to 13 mm I.D., 23 mm O.D. hose - R 3/4" Thread
22842	KA - 1325 A *	Fits to 13 mm I.D., 25 mm O.D. hose - R 3/8" Thread
22843	KA - 1325 B *	Fits to 13 mm I.D., 25 mm O.D. hose - R 1/2" Thread
22844	KA - 1325 C *	Fits to 13 mm I.D., 25 mm O.D. hose - R 3/4" Thread
22845	KA - 1527 A *	Fits to 15 mm I.D., 27 mm O.D. hose - R 3/8" Thread
22846	KA - 1527 B *	Fits to 15 mm I.D., 27 mm O.D. hose - R 1/2" Thread
22847	KA - 1527 C *	Fits to 15 mm I.D., 27 mm O.D. hose - R 3/4" Thread
22848	KA - 1929 *	Fits to 19 mm I.D., 29 mm O.D. hose - R 3/4" Thread
22849	KA - 1931 A *	Fits to 19 mm I.D., 31 mm O.D. hose - R 3/8" Thread
22850	KA - 1931 B *	Fits to 19 mm I.D., 31 mm O.D. hose - R 1/2" Thread
22851	KA - 1931 C *	Fits to 19 mm I.D., 31 mm O.D. hose - R 3/4" Thread
22851	KA - 1931 D *	Fits to 19 mm I.D., 31 mm O.D. hose - R 1" Thread
22852	KA - 1933 A *	Fits to 19 mm I.D., 33 mm O.D. hose - R 3/4" Thread
22853	KA - 1933 B *	Fits to 19 mm I.D., 33 mm O.D. hose - R 1" Thread
22854	KA - 2539 A *	Fits to 25 mm I.D., 39 mm O.D. hose - R 3/4" Thread
22855	KA - 2539 B *	Fits to 25 mm I.D., 39 mm O.D. hose - R 1" Thread
22856	KA - 3248 A *	Fits to 32 mm I.D., 48 mm O.D. hose - R 1" Thread
22857	KA - 3248 B *	Fits to 32 mm I.D., 48 mm O.D. hose - R 1 1/4" Thread
22858	KA - 3858 *	Fits to 38 mm I.D., 58 mm O.D. hose - R 1 1/2" Thread
22859	KA - 5070 *	Fits to 50 mm I.D., 70 mm O.D. hose - R 2" Thread
22860	KA - 5373 *	Fits to 53 mm I.D., 73 mm O.D. hose - R 2" Thread

* marked couplings are steel couplings. All others are brass couplings.

